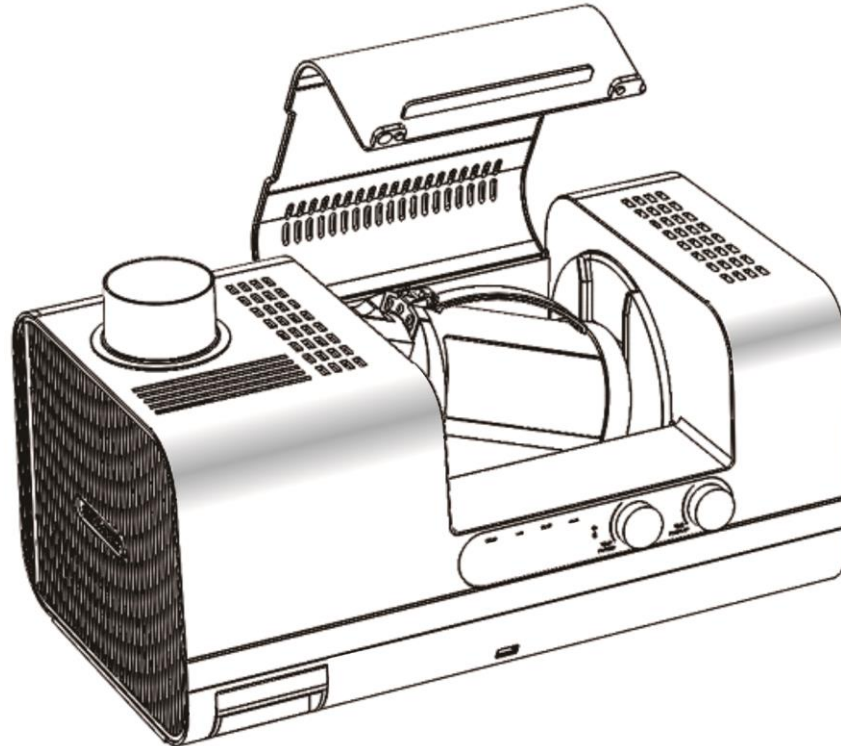


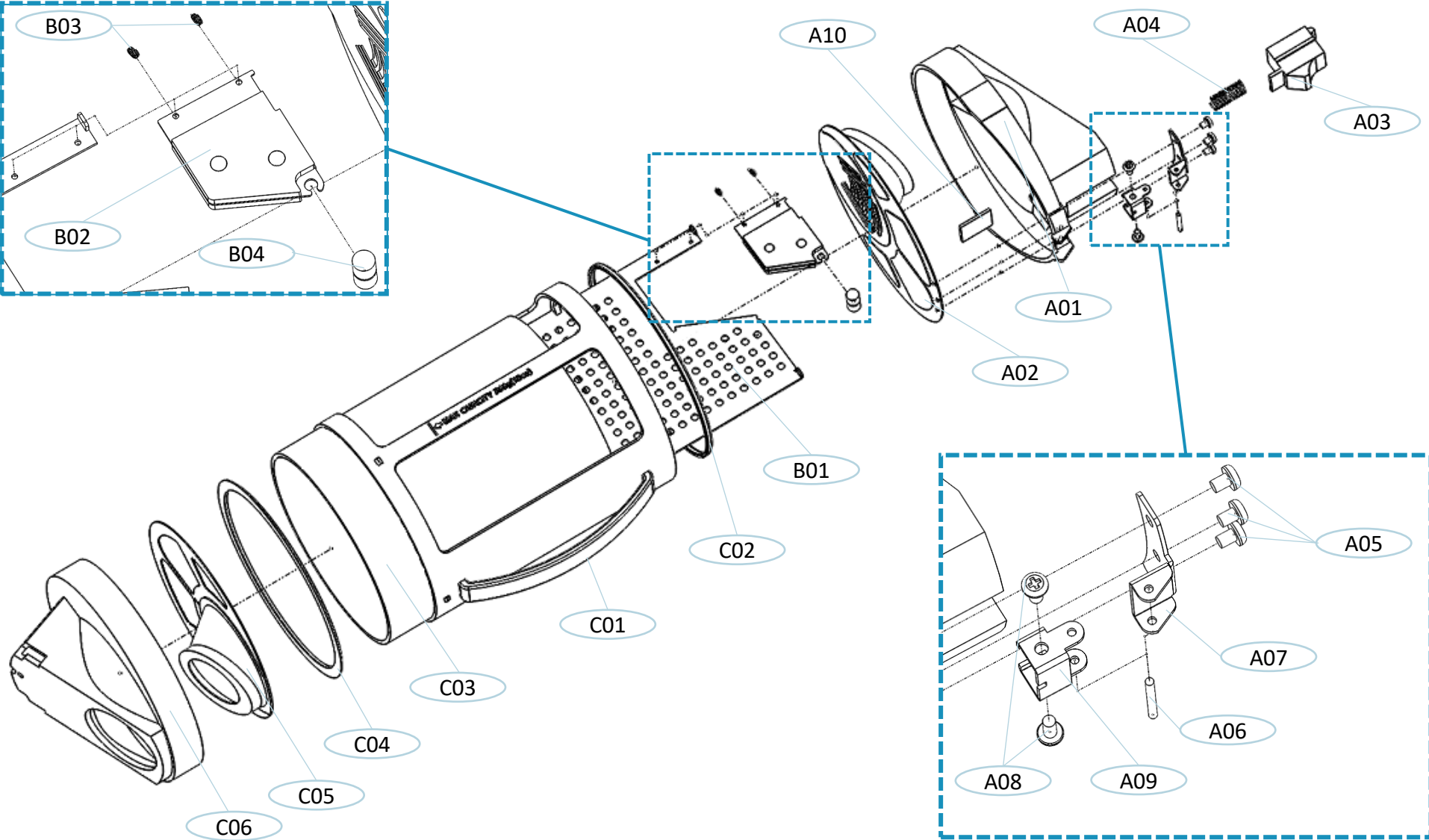
PART CATALOG

CBR-301



- 1, Chamber Ass'y P3~4P
- 2, Cabinet Top Ass'y P5~6P
- 3, Heater Box, Damper(in) Rotary Base(in) Ass'y P7~8P
- 4, Rotary Base Damper Out Ass'y P9~10P
- 5, Bracket (L), (R) All Ass'y P11~12
- 6, Cabinet Bottom Ass'y P13~14
- 7, Chaff Body Ass'y P15~16
- 8, Distribution P17
- 9, Wiring Diagram P18~19
- 10, Etc P20~21
- 11, Others P22~23

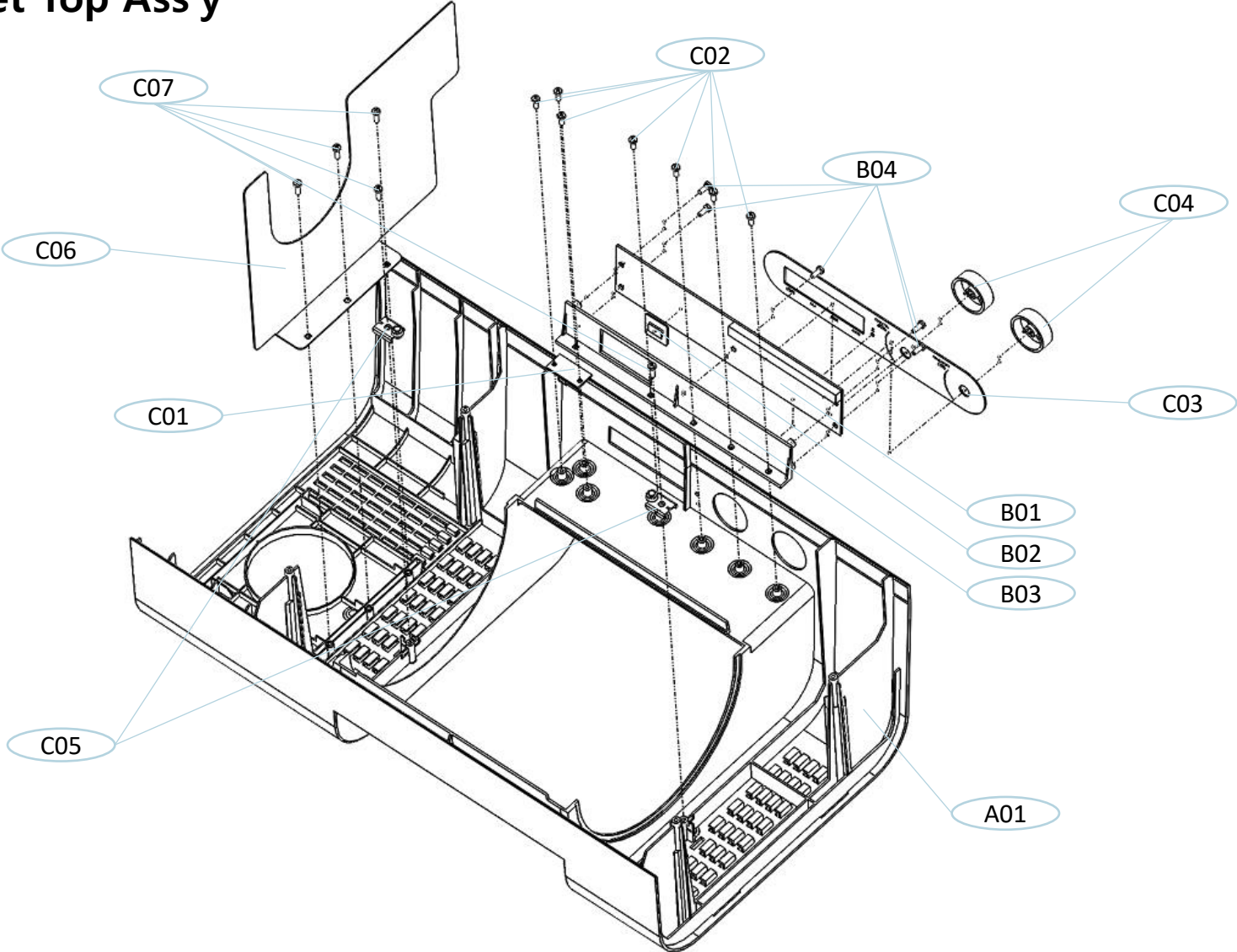
Chamber Ass'y



Chamber Ass'y

Ref NO.	Code NO.	NAME	Q'ty	Remark
A01~C06	RD-CBU137	Chamber Ass'y	1	
A01~A10	CRA75-002A	Chamber Cap (Out) Ass'y	1	
A01	CR72-010A	Cap (Out)	1	
A02	CR71-006A	Inlay (Out)	1	
A03	CR72-017A	Open Knob	1	
A04	CR71-039A	Spring Open Knob	1	
A05	SMB-3004F	BH M3 X 04	3	
A06	CR71-034A	Shaft Hinge	1	
A07	CR71-013A	Hinge (A)	1	
A08	STTB-3006F	BH 3 X 06	2	
A09	CR71-014A	Hinge (B)	1	
A10	CR72-028A	Open Knob Cover (B)	1	
B01~B04	CRA75-003A	Chamber Separator Ass'y	1	
B01	CR71-007A	Separator	1	
B02	CRA75-004A	Blade Ass'y	1	
B03	CR71-041A	Spring Blade	2	
B04	CR73-005A	Blade Cushion	1	
C01~C06	CRA75-005A	Chamber Body Ass'y	1	
C01	CR72-008A	Chamber Holder	1	
C02	CR73-004A	O-Ring (Chamber)	1	
C03	CR70-001A	Glass Tube	1	
C04	CR73-003A	Cap Packing	1	
C05	CR71-005A	Inlay (In)	1	
C06	CR72-009A	Cap (In)	1	

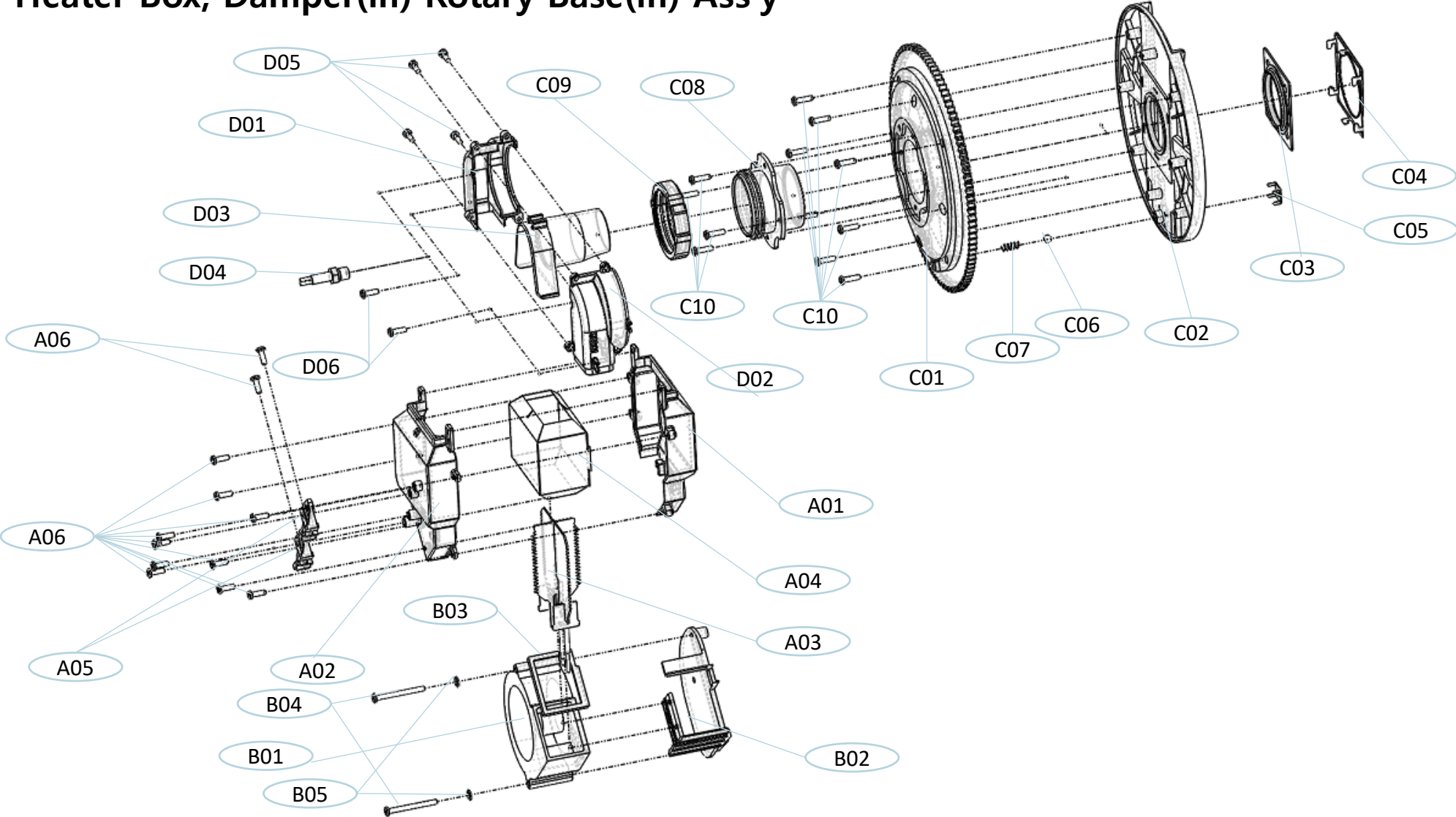
Cabinet Top Ass'y



Cabinet Top Ass'y

Ref NO.	Code NO.	NAME	Q'ty	Remark
A01~C07	RD-AXA058B	Cabinet Top Ass'y	1	
A01	RD-AJU043B	Cabinet Top B	1	
	RD-AJU043W	Cabinet Top W	1	
B01~B04	RD-APA048	Control PCB Ass'y	1	
B01	RD-AMU042	Control PCB	1	
B02	RD-AMU118	BLE Module	1	
B03	RD-AJU049	Control PCB Holder	1	
B04	CBHT0308N	BH 3 X 8 Teping Screw	5	
C01	CR55-002A	Reed Sensor	1	
C02	CBHT0308N	BH 3 X 8 Teping Screw	7	
C03	RD-APU050	Control Panel	1	
C04	RD-APU081B	Dial Switch	2	
C05	CRA75-008A	Top Bearing Bracket Ass'y	2	
C06	RD-AAU099	Cabinet Top Screen	1	
C07	CBHT0308N	BH 3 X 8 Teping Screw	3	

Heater Box, Damper(in) Rotary Base(in) Ass'y

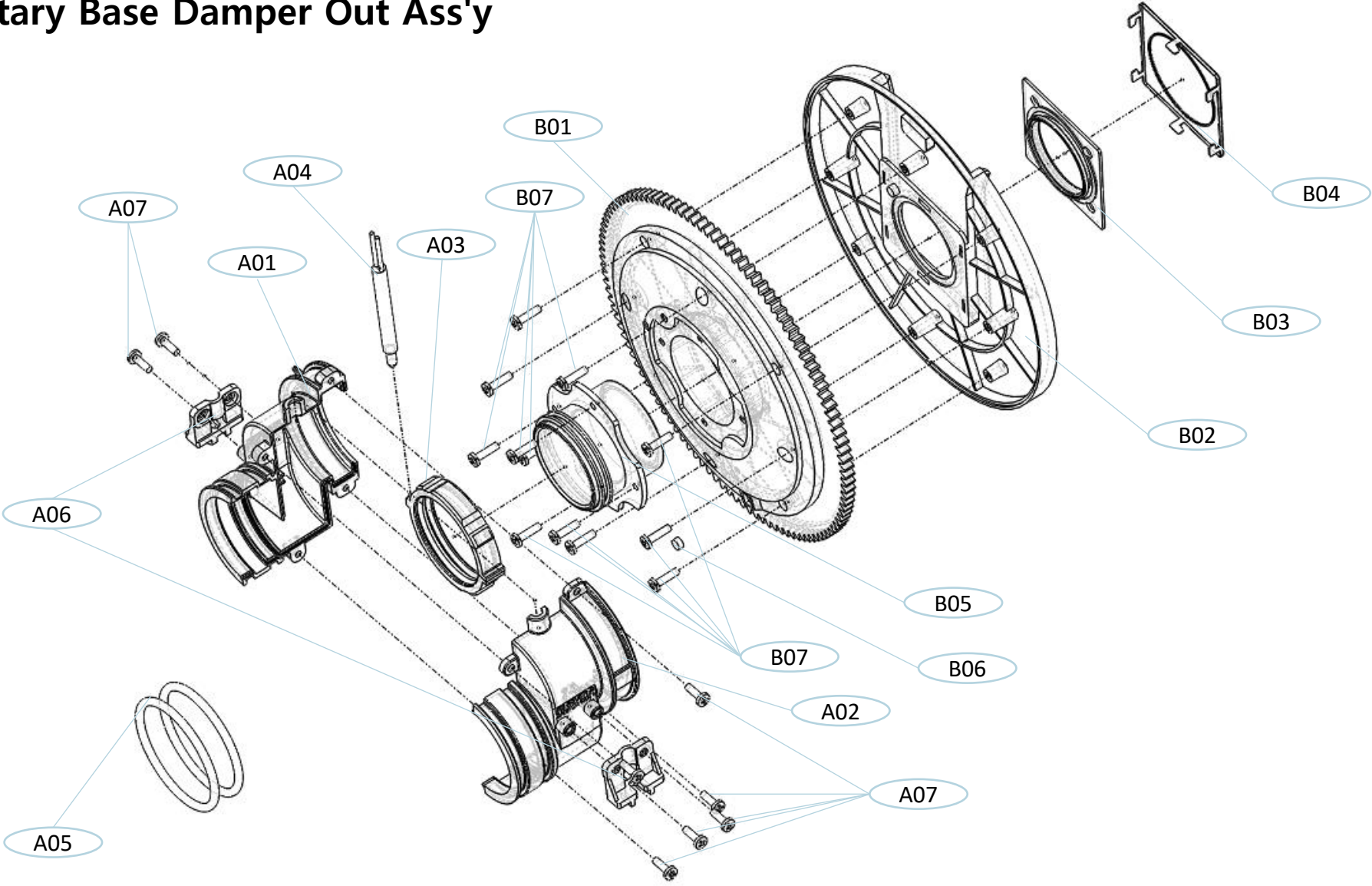


Heater Box, Damper(in) Rotary Base(in) Ass'y

Ref NO.	Code NO.	NAME	Q'ty	Remark
A01~C07	RD-BDA108	Heater Box, Damper(in) Rotary Base(in) Ass'y	1	
A01~A06	RD-BHA116	Heater Box Ass'y	1	
A01	RD-BHU061	Heater Box (R)	1	
A02	RD-BHU060	Heater Box (L)	1	
A03	RD-BHA063	Heater Ass'y	1	
A04	CRP-089A	Bobbin Cover	1	
A05	RD-BJU130	Cap Washer	2	
A06	STTB-3012F	BH 3 X 10	12	
B01~B05	RD-BDA066	Fan Motor Ass'y	1	
B01	RD-BDU038-A	Blow Fan	1	
B02	RD-BDU062	Blow Fan Holder	1	
B03	RD-BGU098	Fan Motor Gasket	1	
B04	CPHM0335N	BH 3 X 35	2	
B05	WW0305N	Washer Ø3 X t0.5	2	
C01~C10	CRA75-010A	Rotary Base Ass'y (in)	1	
C01	CR72-014A	Rotary Base	1	
C02	CR72-015A	Rotary Cap(In)	1	
C03	CR73-002A	Cap Seal	1	
C04	CR71-015A	Cap Seal Cover	1	
C05	CR71-008A	Stopper	1	
C06	CR70-004A	Steel Ball	1	
C07	CR71-040A	Spring Ball	1	
C08	CR71-030AA	Guide Ring (in)	1	
C09	CR72-027A	Guide Bearing	1	
C10	STTB-3012F	BH 3 X 12	12	

Ref NO.	Code NO.	NAME	Q'ty	Remark
D01~D06	RD-BDA064	Damper In Ass'y	1	
D01	RD-BDU035	Damper In (R)	1	
D02	RD-BDU036	Damper In (L)	1	
D03	RD-BDU033	Nozzle	1	
D04	CR55-013B	Temperature Sensor (2)	1	
D05	STTP-3010F	PH 3 X 10	4	
D06	STTP-3012F	BH 3 X 12	2	

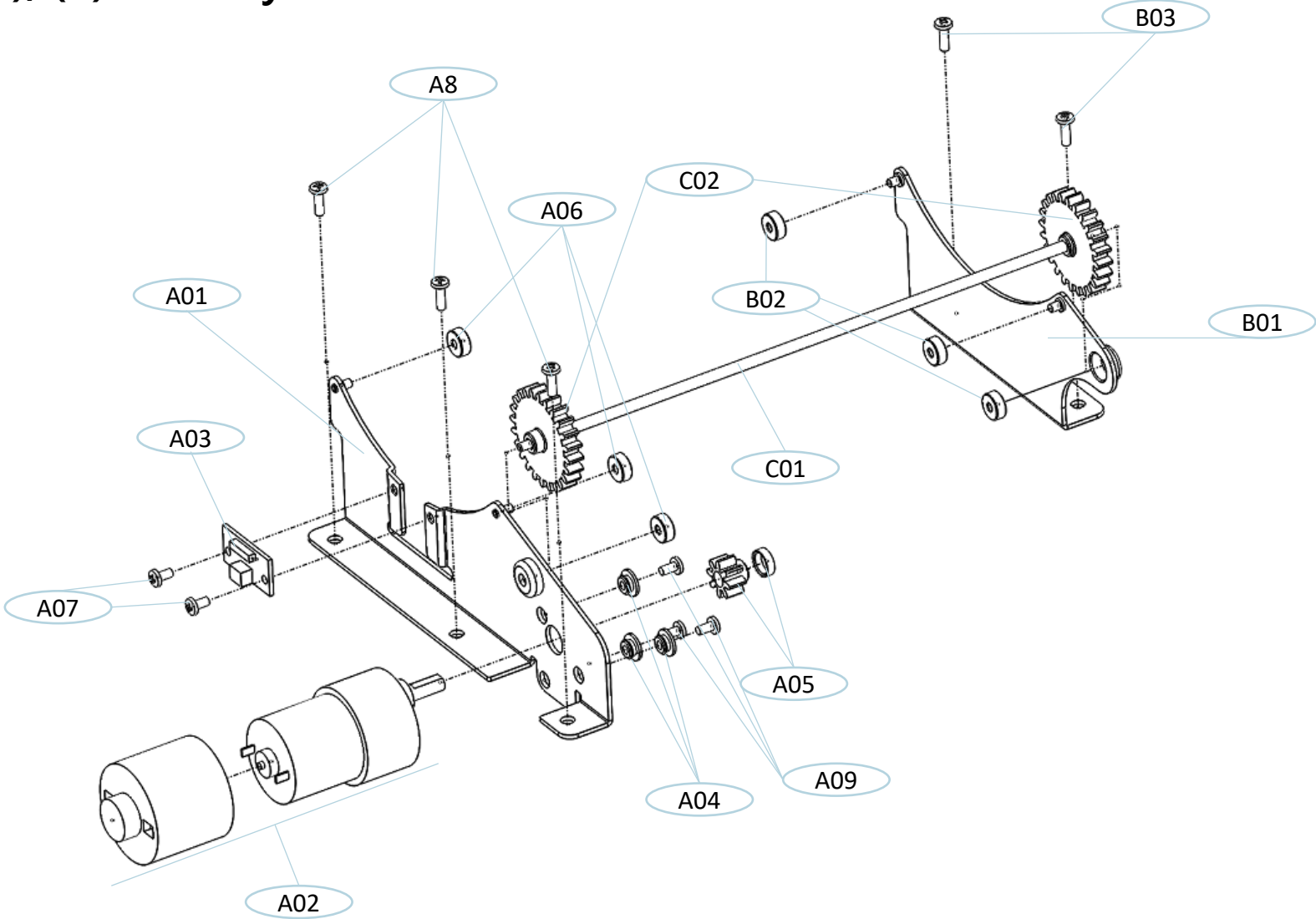
Rotary Base Damper Out Ass'y



Rotary Base Damper Out Ass'y

Ref NO.	Code NO.	NAME	Q'ty	Remark
A01~B08	RD-BDA121	Rotary Base Damper Out Ass'y	1	
A01~A07	RD-BDU070	Damper Out Ass'y	1	
A01	RD-BDU070	Damper Out R	1	
A02	RD-BDU071	Damper Out L	1	
A03	CR72-027A	Guide Bearing	1	
A04	CR55-012A	Temperature Sensor (1)	1	
A05	RC-ASU076	O-Ring P049	2	
A06	RD-BJU130	Cap Washer	2	
A07	STTB-3010F	BH 3 X 10	8	
B01~B07	CRA75-011A	Rotary Base (Out) Ass'y	1	
B01	CR72-014A	Rotary Base	1	
B02	CR72-016A	Rotary Cap(Out)	1	
B03	CR73-002A	Cap Seal	1	
B04	CR71-015A	Cap Seal Cover	1	
B05	CR71-030A	Guide Ring (Out)	1	
B06	CR70-005A	Magnet	1	
B07	STTB-3012F	BH 3 X 12	12	

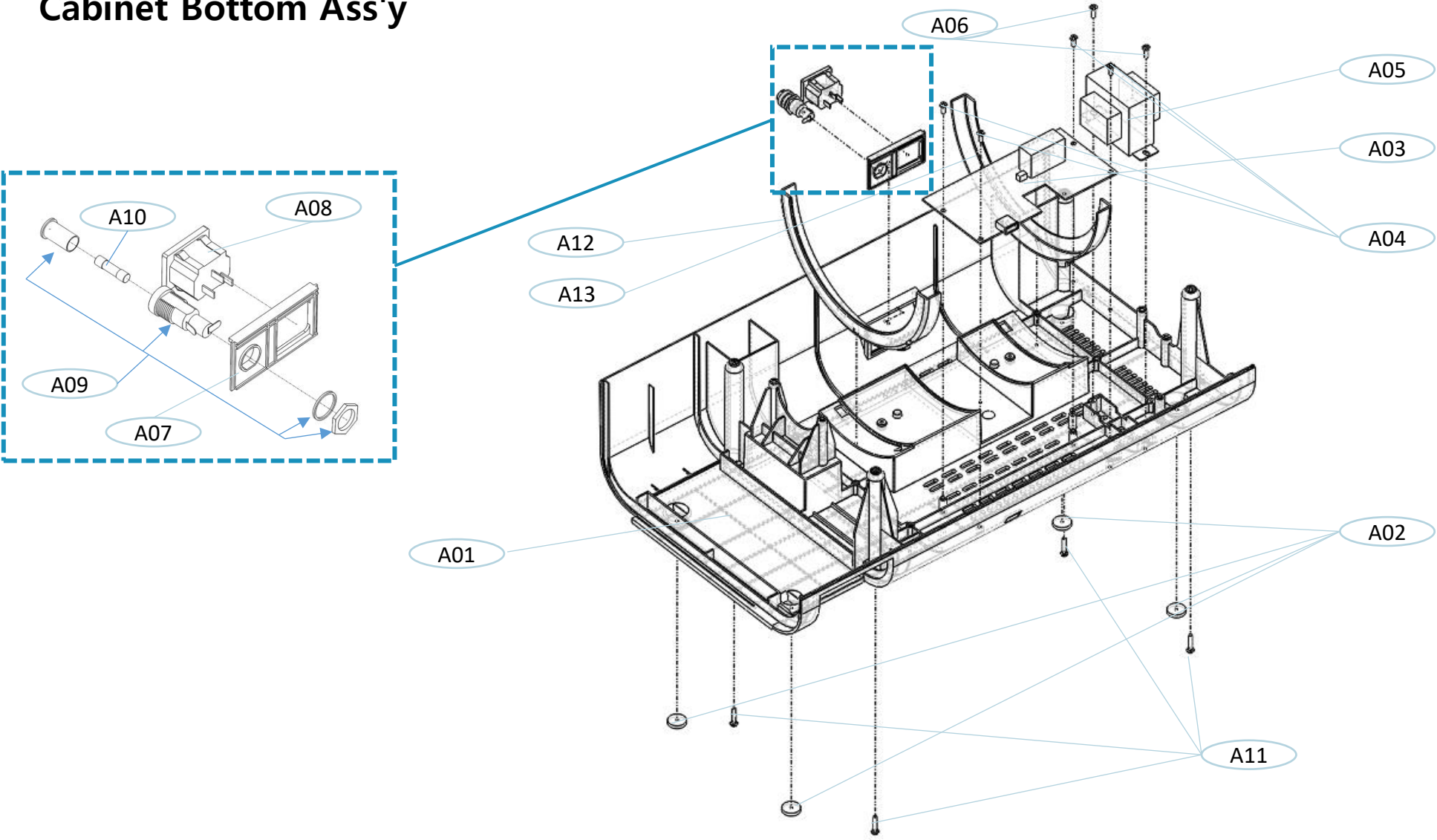
Bracket (L), (R) All Ass'y



Bracket (L), (R) All Ass'y

Ref NO.	Code NO.	NAME	Q'ty	Remark
A01~C02	RD-BAA119	Bracket (L), (R) All Ass'y	1	
A01~A09	RD-BAA120	Bracket Ass'y (L) & Motor Ass'y	1	
A01	CRA75-012A	Bracket Ass'y (L)	1	
A02	RD-BRU107	DC Geard Motor Ass'Y	1	
A03	RD-BMU013	Reed Switch PCB	1	
A04	CR73-001A	Motor Cushion	3	
A05	CRA75-016A	Gear(Motor) Ass'y	1	
A06	CR70-017A	PTFE Bearing_Ø10.0 4T	3	
A07	STTB-3006F	BH M3X6	2	
A08	STTB-3010F	BH M3X10	3	
A09	SMW-3006F	WH M3X6	3	
B01	CRA75-013A	Bracket Ass'y (R)	1	
B02	CR70-017A	PTFE Bearing_Ø10.0 4T	3	
B03	STTB-3010F	BH M3X10	2	
C01	CR71-032A	Shaft Connector	1	
C02	CR72-021A	Middle Gear	2	

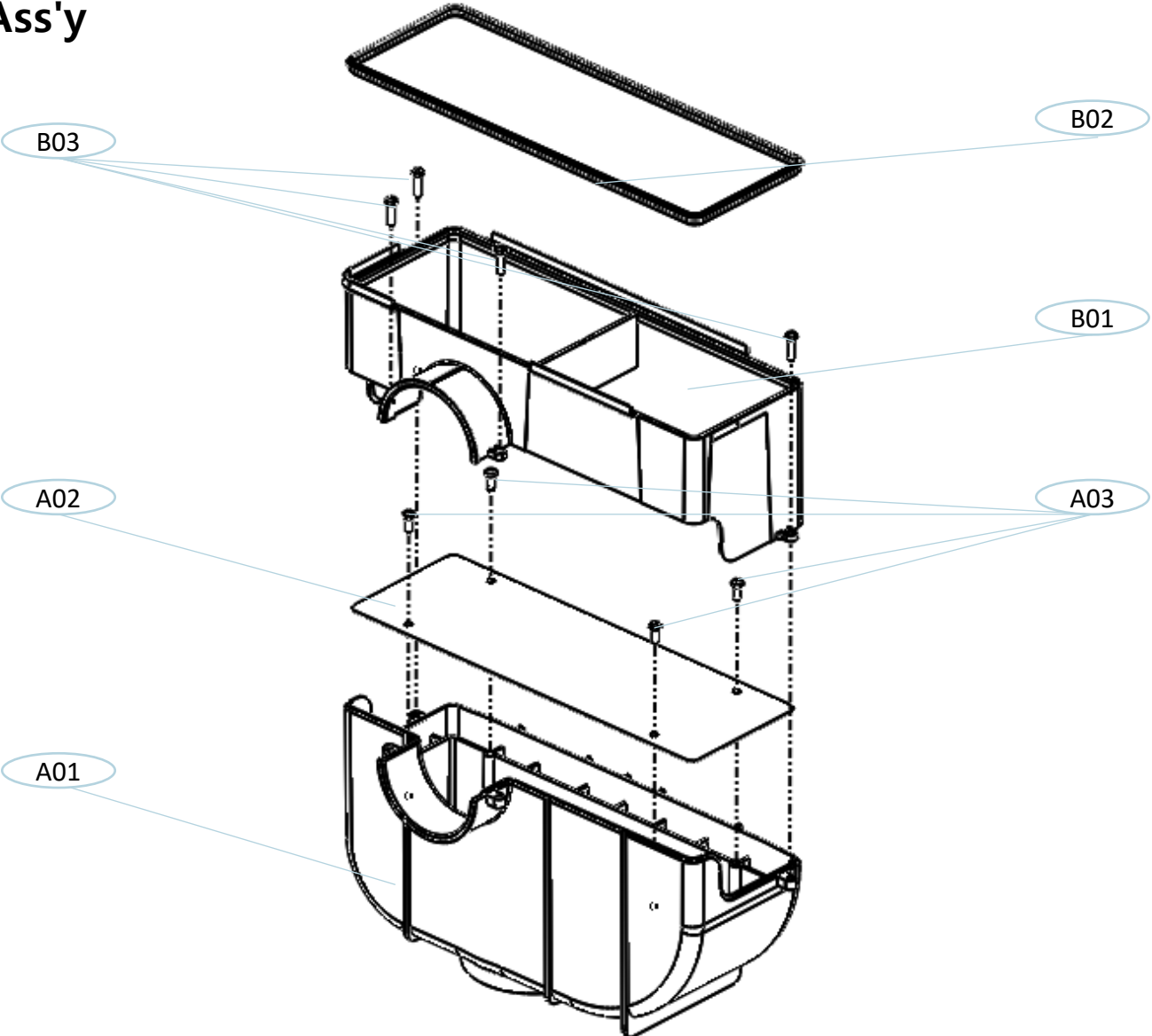
Cabinet Bottom Ass'y



Cabinet Bottom Ass'y

Ref NO.	Code NO.	NAME	Q'ty	Remark
A01~A12	RD-BXA051B	Cabinet Bottom Ass'y	1	
A01	RD-BJU040B	Cabinet Bottom	1	
A02	RD-BGU059	Foot Pad	4	
A03	RD-BMU041	Main PCB	1	
A04	STTB-3008	BH 3 X 8	4	
A05	CR-57-013B	Transformer (100) B	1	
	CR-57-014B	Transformer (120) B	1	
	CR-57-016B	Transformer (230) B	1	220V~240V
	CR-57-017B	Transformer (110) B	1	
A06	STTB-3008	BH 3 X 8	2	
A07	RD-BVU069	Power Panel	1	
A08	CBC101-0007	Power Inlet	1	
A09	CR57-007A	Fuse Holder(100)	1	100V~120V
	CR57-008A	Fuse Holder(200)	1	220V~240V
A10	CR57-009A	Fuse (100) (JP)	1	Glass Tube Type
	CR57-010A	Fuse (120) (US)	1	Ceramic Type
	CR57-011A	Fuse (220) (EU)	1	Ceramic Type
	CR57-012A	Fuse (220) (KR)	1	Ceramic Type
A11	STTB-3016	BH 3 X 16	4	
A12	RD-BJU053	Side Cover L	1	
A13	RD-BJU054	Side Cover R	1	

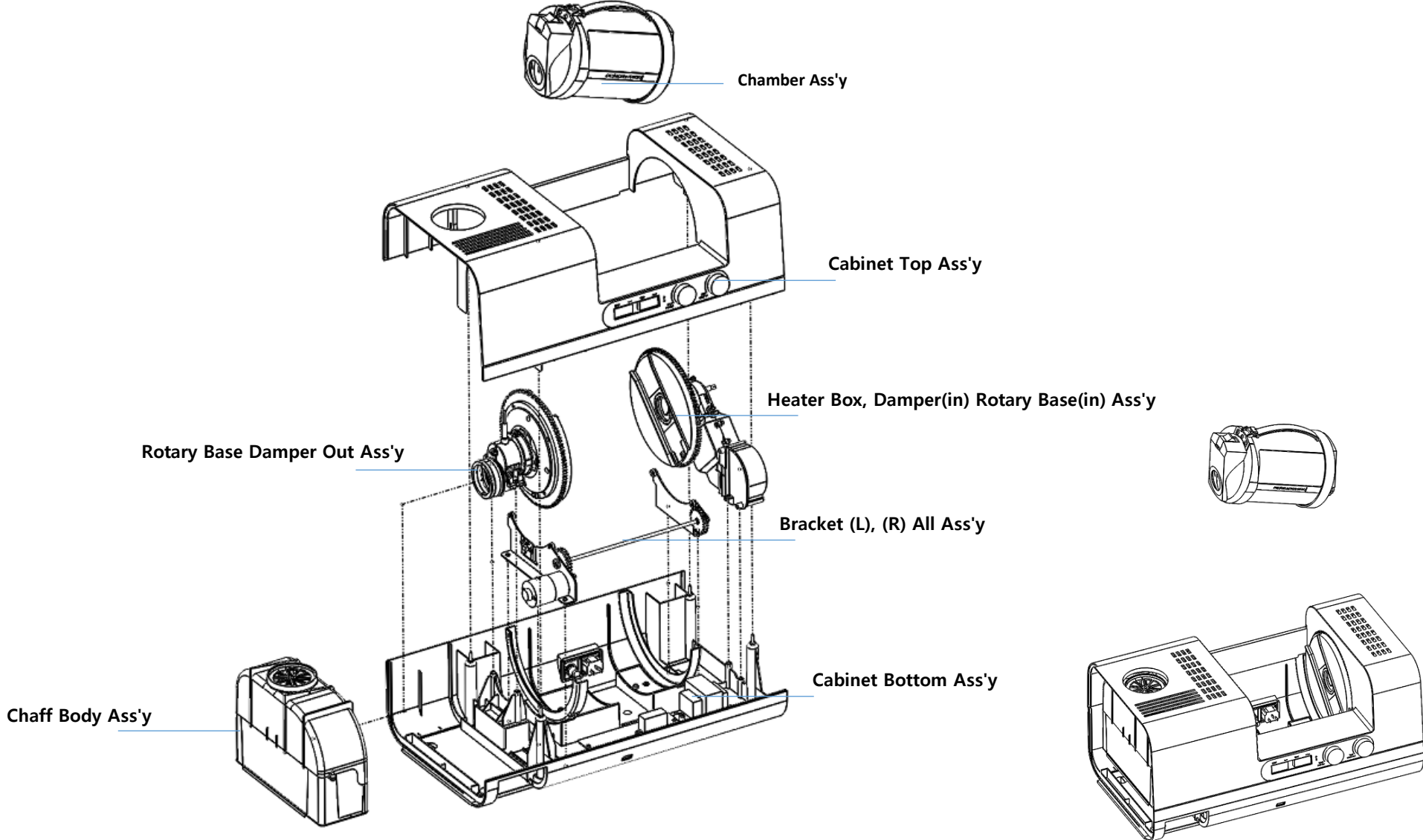
Chaff Body Ass'y



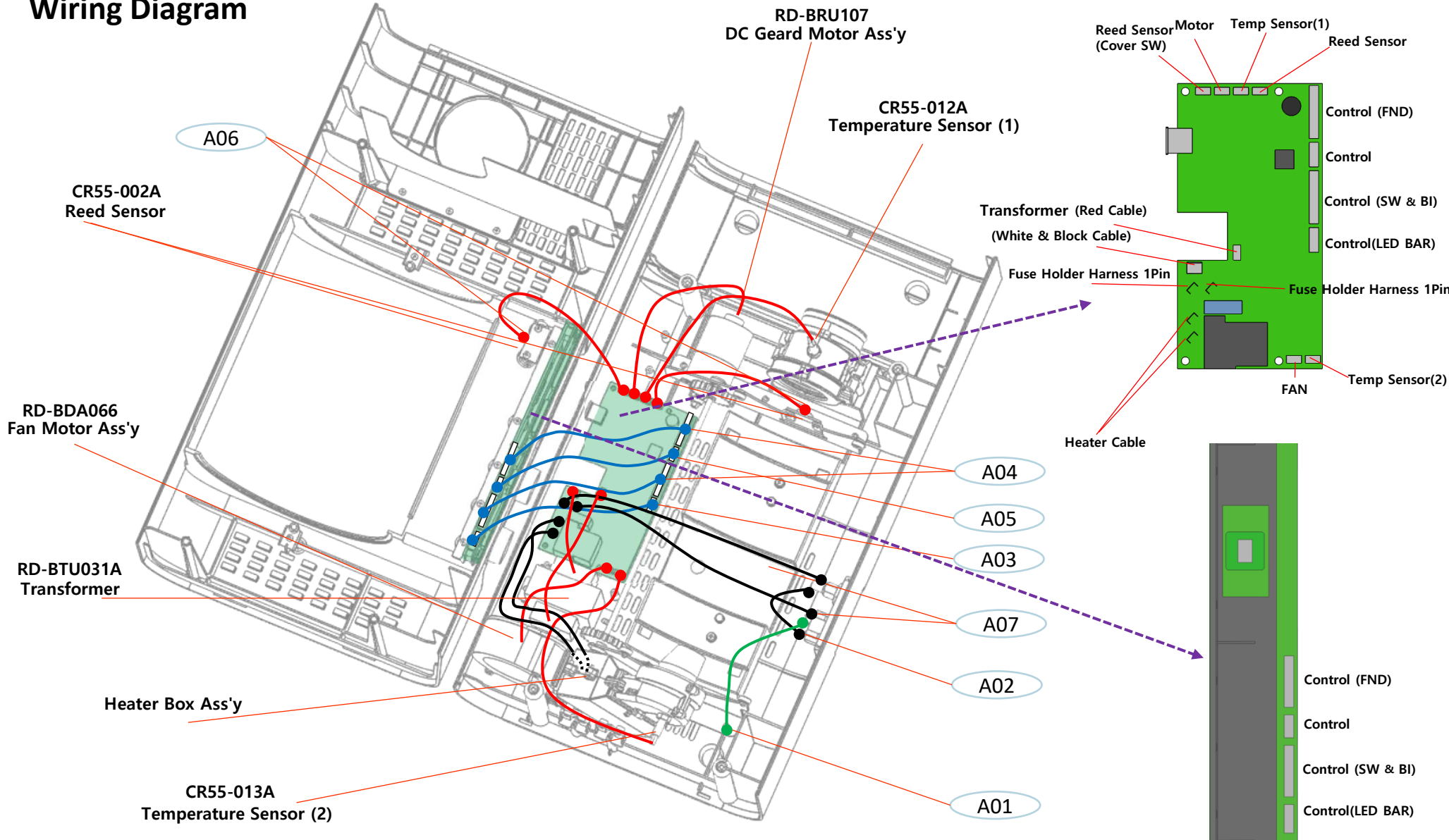
Chaff Body Ass'y

Ref NO.	Code NO.	NAME	Q'ty	Remark
A01~B03	RD-BFA077	Chaff Body Ass'y	1	
A01~A03	RD-BFA122	Chaff Body Top Ass'y	1	
A01	RD-BFU074	Chaff Body Top	1	
A02	RD-BFU078	Chaff Filter	1	
A03	CPHT0314N	BH 3 X 14 Teping Screw	4	
B01~B03	RD-BFU123	Chaff Body Bottom Ass'y	1	
B01	RD-BFU075	Chaff Body Bottom	1	
B02	RD-BFU079	Chaff Body Gasket	1	
B03	CPHT0314N	BH 3 X 14 Teping Screw	4	

Distribution



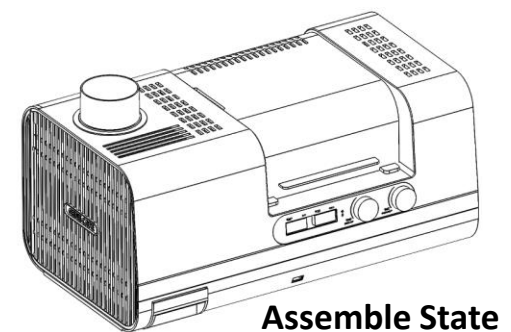
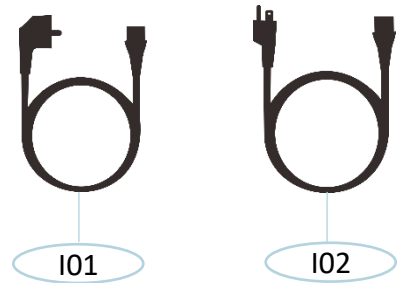
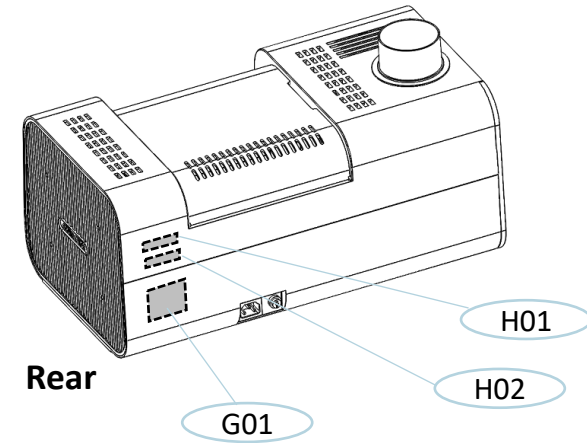
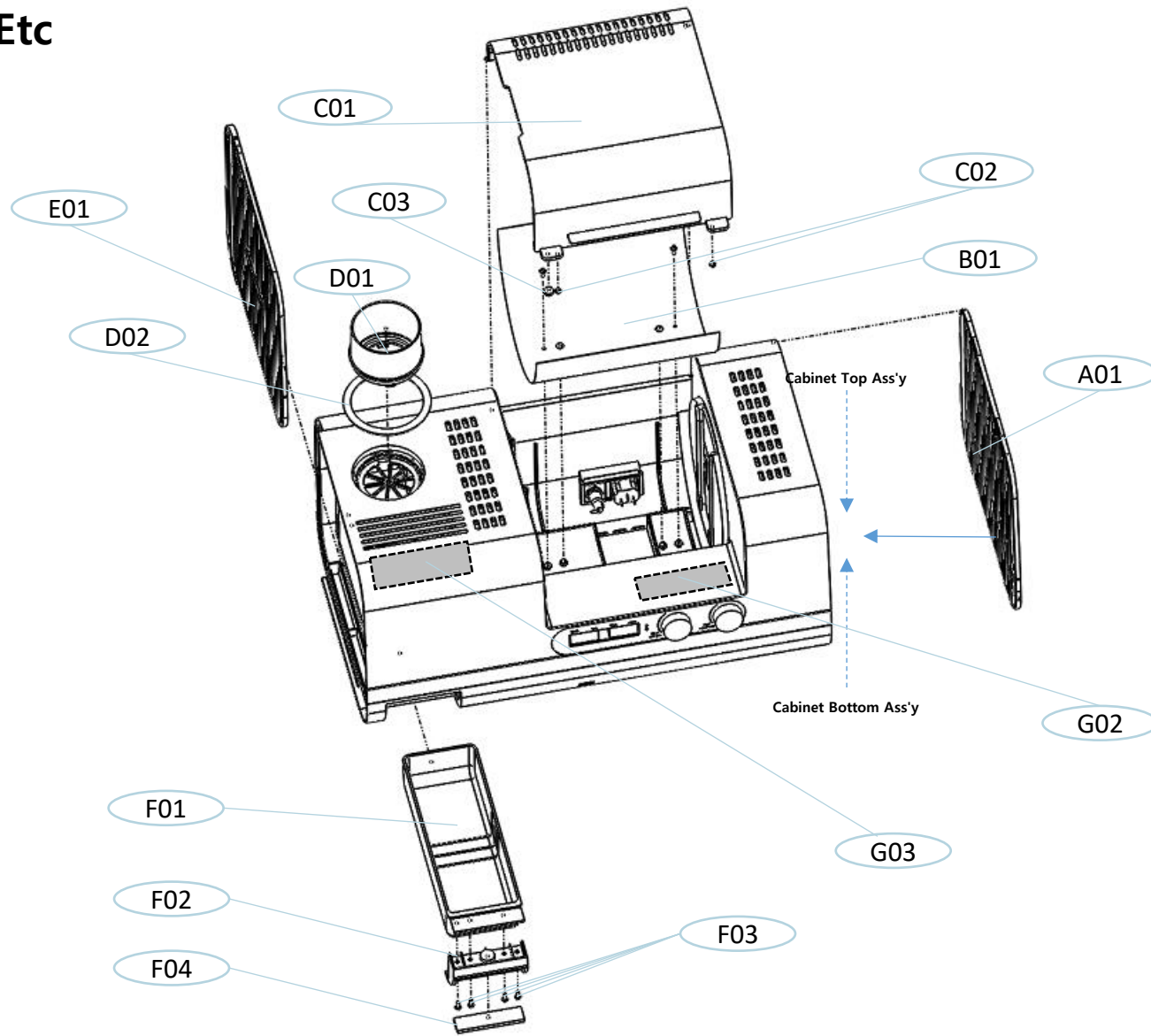
Wiring Diagram



Wiring Diagram

Ref NO.	Code NO.	NAME	Q'ty	Remark
A01	RD-BVU104-A	Harness AC Inlet Ground	1	
A02	RD-BVU106-A	Harness AC Inlet Fuse	1	
A03	RD-BVU103-A	Harness Control LED 5Pin	1	
A04	CRA96-010A	Control Harness 10Pin	2	
A05	CRA96-011A	Control Harness 4Pin	1	
A06	CRA96-015A	DC Power Harness 2Pin (Reed Switch Harness)	2	
A07	CRA96-016A	Fuse Holder Harness 1Pin	2	

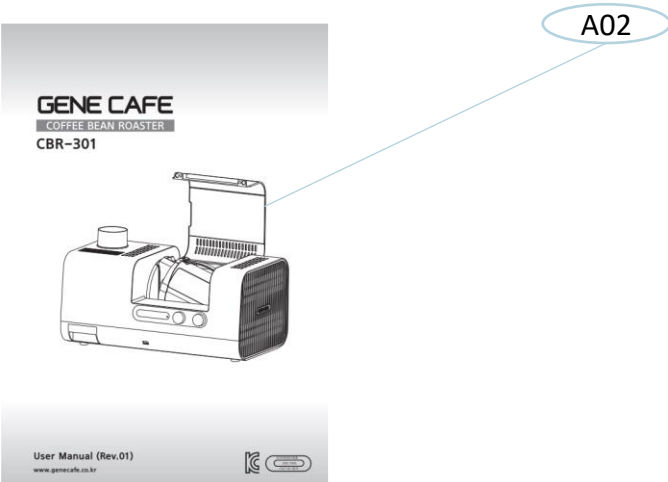
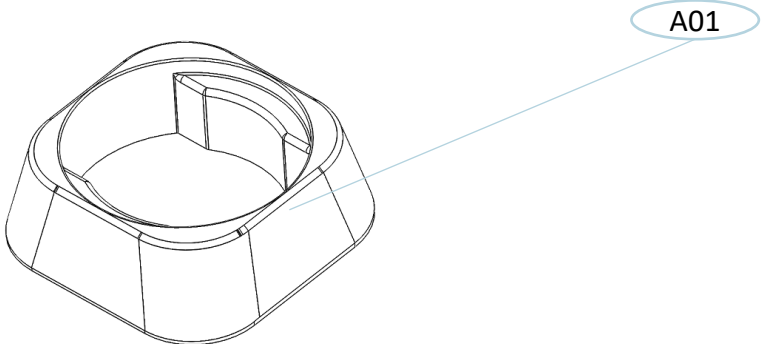
Etc



Etc

Ref NO.	Code NO.	NAME	Q'ty	Remark	Ref NO.	Code NO.	NAME	Q'ty	Remark
A01	RD-AJU044	Main Side Panel (R)	1		G02	RD-XLU128BA	Waring Label Cover Black (KR)	1	
B01	RD-BAU052-B	Base Panel	1			RD-XLU128WA	Waring Label Cover White (KR)	1	
B02	CBHT0308N	BH 3 X 8 Teping Screw	2			RD-XLU128UBA	Waring Label Cover Black (US)	1	
C01~C03	RD-AJA125	Chamber Cover Ass'y	1			RD-XLU128UWA	Waring Label Cover White (US)	1	
C01	RD-AJU047	Chamber Cover	1			RD-XLU128JBA	Waring Label Cover Black (JP)	1	
C02	RD-BFU080	C-Magent	1			RD-XLU128JWA	Waring Label Cover White (JP)	1	
C03	CRP-081A	Safety Cover Cushion	2			RD-XLU128CBA	Waring Label Cover Black (CA)	1	
D01	RD-BFU076	Exhasust Pipe	1			RD-XLU128CWA	Waring Label Cover White (CA)	1	
D02	RD-XGU135	Ring Silicone	1		G03	RD-XLU129BA	Waring Label Duct Black (KR)	1	
E01	RD-AJU045	Main Side Panel (L)	1			RD-XLU129WA	Waring Label Duct White (KR)	1	
F01~F04	RD-BJA124B	Chaff Tray Ass'y	1			RD-XLU129UBA	Waring Label Duct Black (US)	1	
F01	RD-BJU093	Chaff Tray Body	1			RD-XLU129UWA	Waring Label Duct White (US)	1	
F02	RD-BJU094B	Chaff Tray Cover	1			RD-XLU129JBA	Waring Label Duct Black (JP)	1	
F03	CBHT0308N	BH 3 X 8 Teping Screw	3			RD-XLU129JWA	Waring Label Duct White (JP)	1	
F04	RD-BGU131	Tray Cover Cushion	1			RD-XLU129CBA	Waring Label Duct Black (CA)	1	
	RD-XLU127A	Name Plate 220V (KR)	1			RD-XLU129CWA	Waring Label Duct White (CA)	1	
G01	RD-XLU127NUA	Name Plate 120V (NRTL US)	1		H01	RD-XLU130	Serial Number Label	1	
	RD-XLU127NCA	Name Plate 120V (NRTL C)	1		H02	RD-XLU131	Barcode Label	1	
	RD-XLU127JA	Name Plate 100V (JP)	1		I01	CBC101-0013	Power Cord 220V	1	220V~230V
	RD-XLU127CEA	Name Plate 230V (CE)	1		I02	RD-XVU001	Power Cord 110V	1	100V~120V

Others



Others

Ref NO.	Code NO.	NAME	Q'ty	Remark
A01	RD-CBU086	Stand	1	
A02	RD-XUU102A	User's Manual (KR)	1	
	RD-XUU102UA	User's Manual (US)	1	