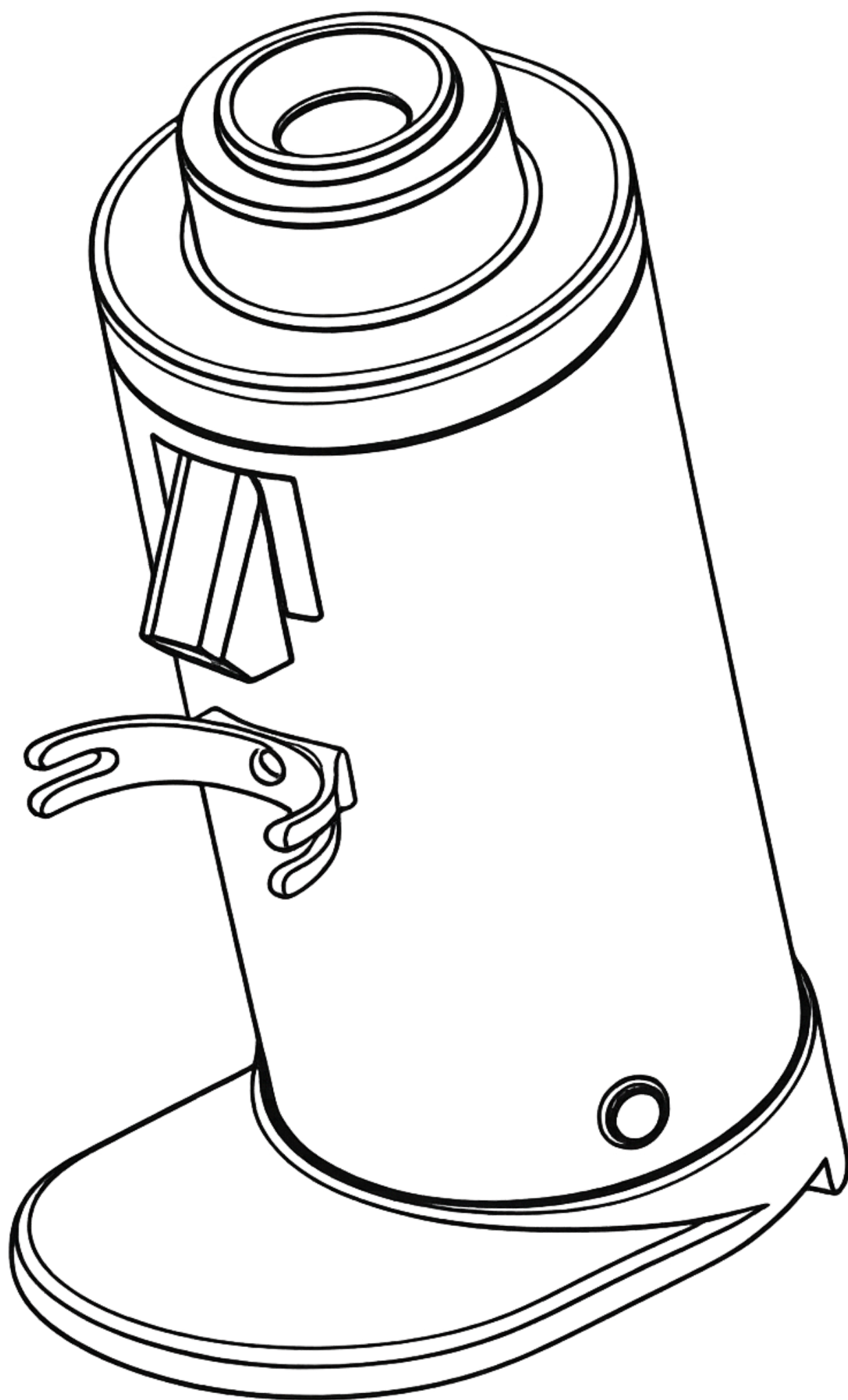


PRESSOCO

COFFEE GRINDER

DF64 GEN 2

INSTRUCTIONS



Please read this manual and keep it properly before using the product

SAFETY PRECAUTION

- Do not modify this product without authorization;
- Do not place the product near the fire source;
- Do not wash the exterior and interior of the product with water;
- Do not use this product outdoors or in direct sunlight;
- Do not grind crops other than coffee beans;
- Do not allow children to operate, touch or climb this product;
- Do not squeeze, pull, knot or damage the power cord;
- If the power cord is damaged, in order to avoid the risk of electric shock, it must be replaced by the manufacturer or after-sales service professionals;
- Disconnect the power supply before replacing components;
- Be careful when take out the burrs and clean the grinder.

PARAMETERS

Item	Coffee grinde
Model	DF64
Item size	L225*W130*H300mm
Carton size	L320*W210*H400mm
N.W	7.2Kg
G.W	8.2Kg
Rated input	220-240V 50Hz
Rated power	250W
Bur	flat 64mm
Capacity of grinder	30g
Capacity of blowing hopper	50g

PRESENTATION

1. Popcorn Lid

Al alloy

2. Upper burr holder

Al alloy, detachable

3. Adjusting dis

Stepless

4. Outlet chute

Ultrad short chute with plasma generator joint to reduce the residual of coffee grinds inside

5. Holder

For portafilter or dosing cup

6. Body

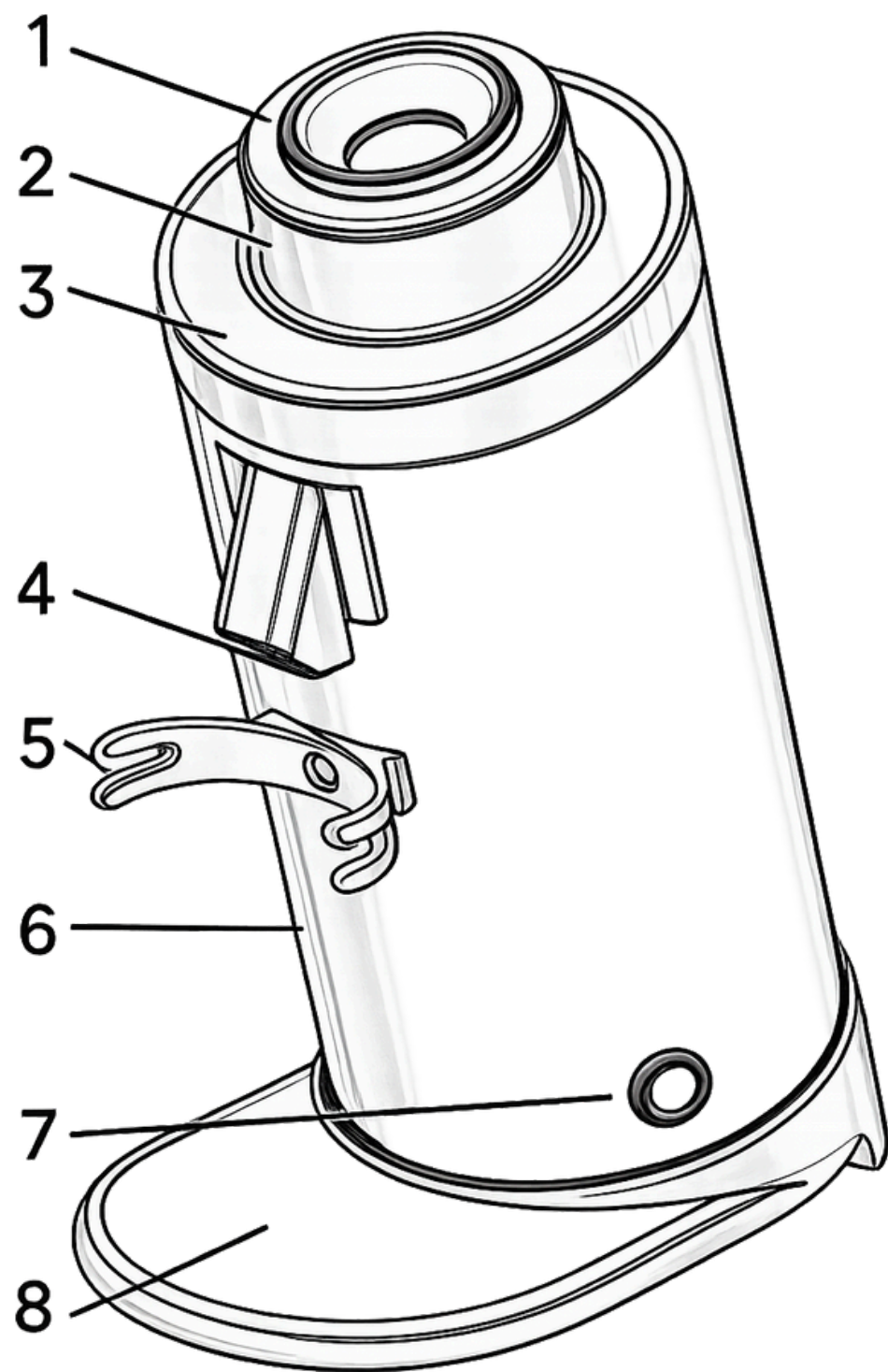
Al alloy with painted

7. Power switch

One button start or stop

8. Base

Aluminum alloy, stable and reliable



ACCESSORIES

1. Metal collar

2. Metal cup

6063 aluminium alloy



3. Bellow hopper

With lid allows for the gentle compression of air to minimizing coffee grinds retention

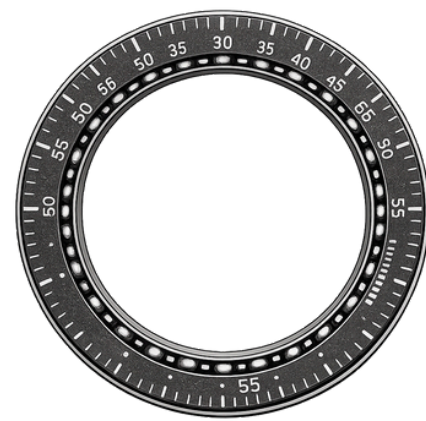


GRIND ADJUSTMENT

Easy stepless adjustment to any desired grind coarseness.

Note:

Please adjust the coarseness whilst there are no coffee beans in the grinder, or whilst the grinder motor is running.



OPERATING INSTRUCTIONS

STEP 1: put your weighed coffee beans into the upper burr holder of the grinder and cover with the lid

STEP 2: place the portafilter or dosing cup on the holder, then press the power switch once, and the grinder will start working;

STEP 3: when the coffee beans have finished grinding, gently press on the bellow until no resistance is felt to help remove any retained coffee grinds

STEP 4: When complete, press the power switch again to stop the grinder

CLEANING PROCESS OF GRINDER

1. This product is one-button start and close, no need to set the time and speed, more safe and reliable use ;
2. Only clean grounds with a dry brush or handheld vacuum, not wash with water ;
3. Install the bellow on the upper burr holder, press the power switch to start, and press the bellow to blow out any residual coffee grinds inside the grinder;
4. Unplug the grinder and turn the adjusting disc anticlockwise to take it out, and then remove the upper burr holder;
5. Clean both burrs with a dry brush
6. Clean the outlet chute with a dry brush;
7. Reinstall the upper burr holder and put the adjusting disc on, and rotate the adjusting disc clockwise until it can't move, then adjust it counterclockwise to scale 10.

Note: Ensure the threads are clean and no coffee grinds are lodged in either thread set, failure to do so may jam the adjusting disc and void any warranty claim.

WARRANTY AND AFTER SALES SERVICE

The warranty period is one year from the date of receiving the product. Under the warranty period and conditions, the company will provide a full range of warranty services in accordance with the provisions of the product failure and abnormal problems:

1. Free repair of faulty machines
2. Free replacement of faulty parts (except burr)
3. Items stipulated by laws of other countries

EXCEPTIONS

Product failure or damage in one of the following situations is not covered by the warranty

1. Product failure caused by using accessories other than our company;

2. Product failure caused by dismantling the machine without authorization

3. Product failure caused by failure to operate in accordance with the instructions;

4. Obtain the product by illegal means or means

5. Product failure caused by force majeure;

6. Products repaired by unauthorized third party personnel without contacting the company and its authorized dealers

APPLICATION AND USAGE

the appliance is not to be used by persons (including children) with reduced physical, sensory or mental capabilities, or lack of experience and knowledge, unless they have been given supervision or instruction

- children being supervised not to play with the appliance

Instructions include the operating times and speed settings for accessories;

The instructions include details on how to clean surfaces in contact with food

This appliance is intended to be used in household and similar applications such as:

- staff kitchen areas in shops, offices and other working environments;
- farm houses;
- by clients in hotels, motels and other residential type environments;
- bed and breakfast type environments.

if the manufacturer wants to limit the use of the appliances to less than the above, this has to be clearly stated in the instructions.