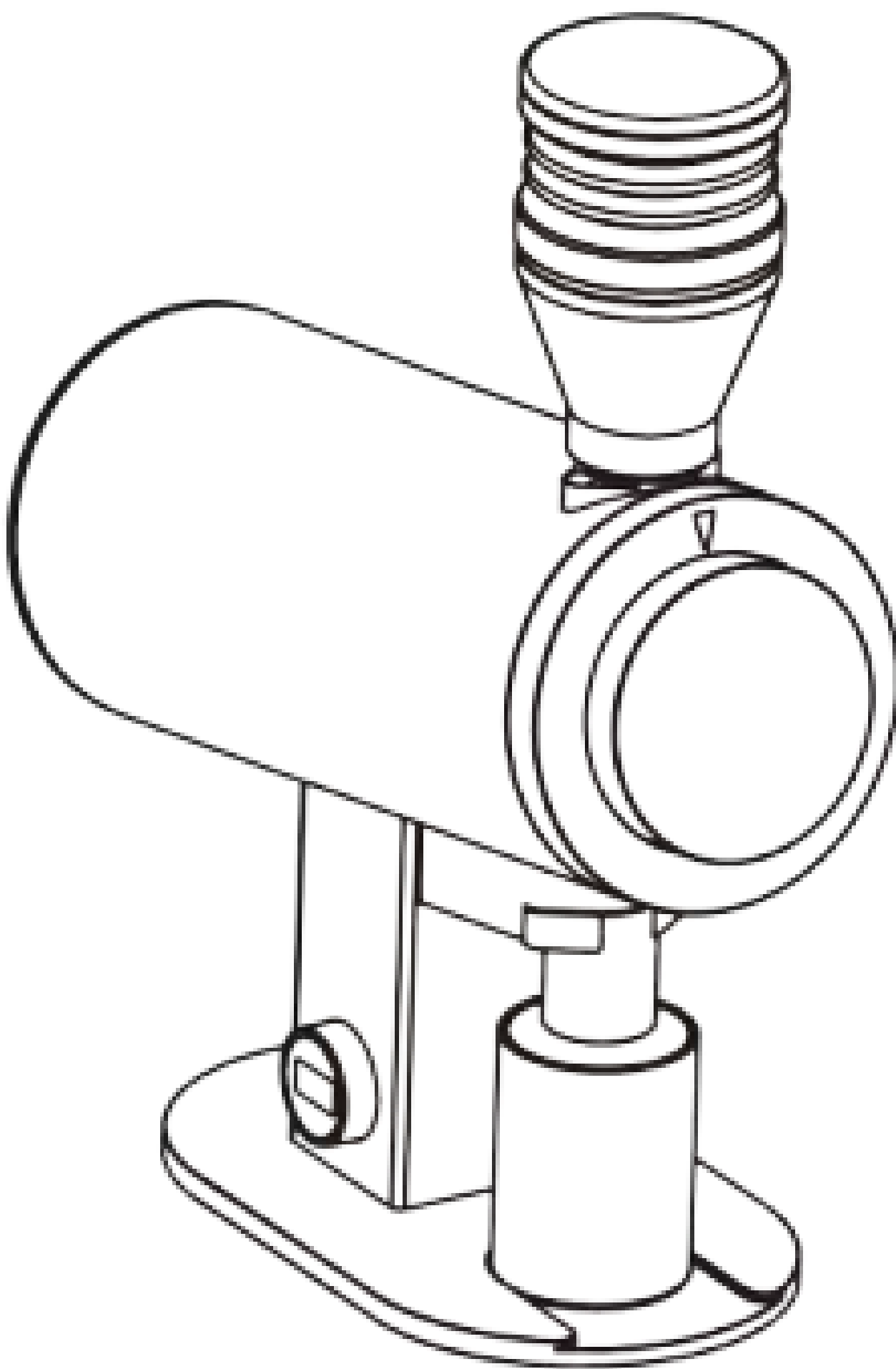


PRESSOCO

DF83V

COFFEE GRINDER INSTRUCTION

VARIABLE SPEED



**Please read this manual thoroughly before use.
Keep this manual in a safe place for
future reference**

OPERATING INSTRUCTIONS

Follow these steps to use the grinder effectively:

Step 1: Plug in the grinder and turn on the power switch; the speed display will light up;

Step 2: Set the desired grinding speed;

Step 3: Open the lid, place coffee beans in the hopper, and press the start switch to activate the motor;

Step 4: Upon completion of the grinding process, press the bellows to expel any residual coffee grounds (Normal working duration should not exceed 45 seconds);

Step 5: After grinding, press the bellows again to blow out any remaining coffee grounds (Normal working duration should not exceed 45 seconds)

CLEANING PROCESS OF GRINDER

Follow these steps for effective cleaning of the grinder:

Step 1: Start the machine and use the bellows to clean residual coffee grounds in the chamber, then power off;

Step 2: Safely disconnect the grinder from the power outlet;

Step 3: Remove the dial by turning it counterclockwise;

Step 4: Further, remove the indicating collar by turning it counterclockwise;

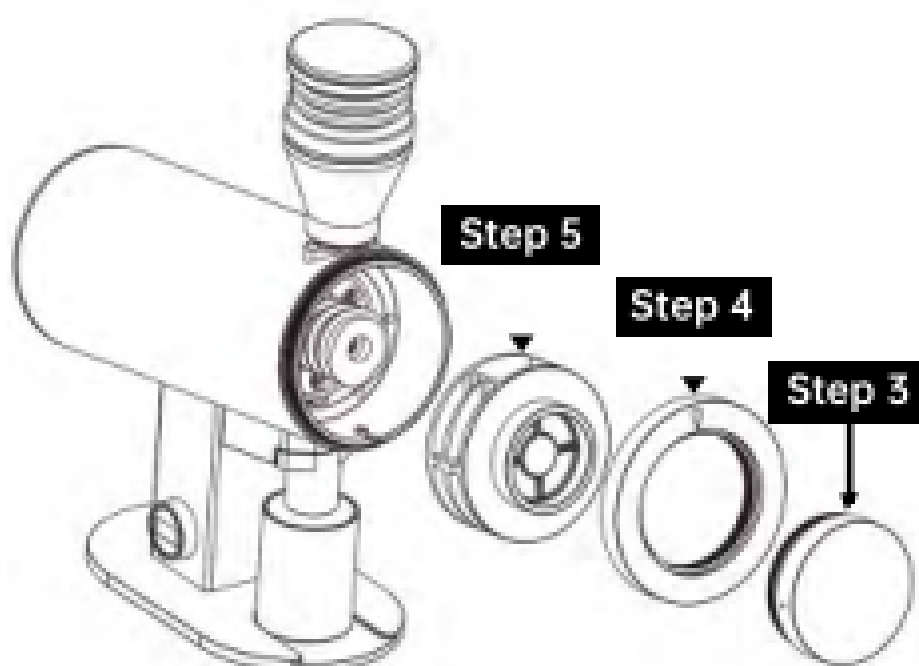
Step 5: Pull out the front burr component;

Step 6: Utilize a dry brush or handheld vacuum to clean both the burrs and the chamber;

Step 7: Remove the magnetic chute and clean it thoroughly with a dry brush;

Step 8: Clean the powder outlet with a dry brush, avoiding contact with your fingers due to the presence of the plasma generator electric pin inside;

Step 9: Reassemble all the parts in the reverse order



GRIND ADJUSTMENT INSTRUCTIONS

Easily achieve your desired grind coarseness with stepless adjustment. Here's how:

Note: Adjust the coarseness when there are no coffee beans in the grinder and while the grinder motor is running.

1. The adjustment dial features a total of 90 grind setting, each with a 3° angle.
2. Rotate the dial clockwise to achieve a finer grind.
3. Rotate the dial anticlockwise to achieve a coarser grind

MOTOR SPEED ADJUSTMENT

1. Adjust the motor speed within the range of 300 to 1600 RPM.;
2. Increase the speed by 100 RPM increments by turning the “speed adjust knob” (12) clockwise.
Decrease the speed by 100 RPM increments by turning the “speed adjust knob” (12) counterclockwise;
3. The motor speed can be adjusted both before and after the motor starts



ACCESSORIES

1. Dosing cup

6063 aluminum alloy with anodizing

2. Bellow hopper

With lid allows for the gentle compression of air to minimizing coffee grinds retention

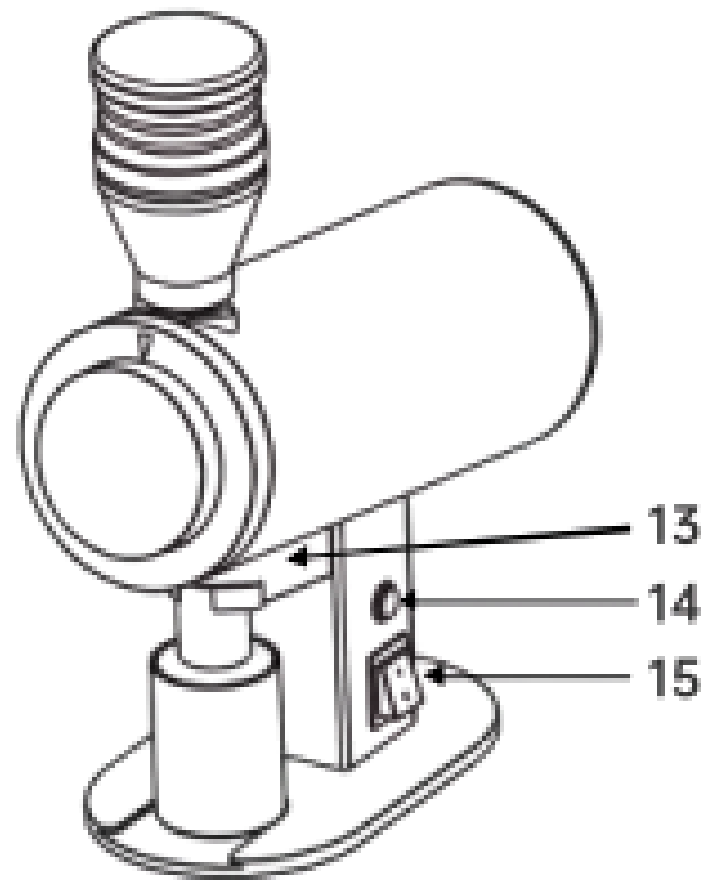
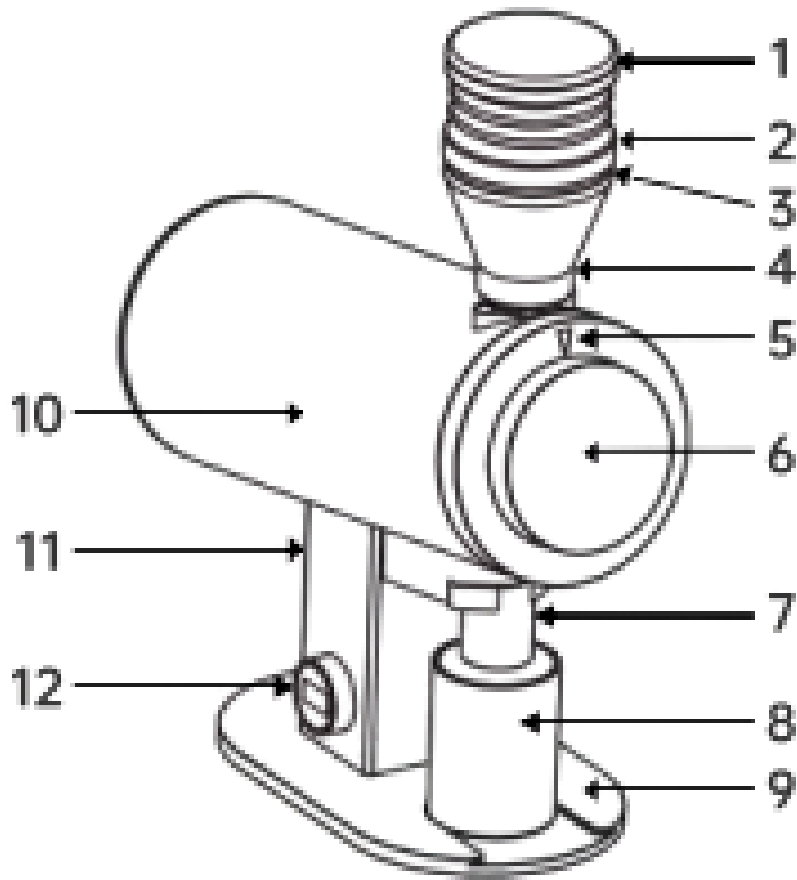
3. Hexagonal wrench

Disassemble hopper /dia

4. Cleaning Brush

To help maintain a clean grinder and workspace

PRESENTATION



1. Lid

Black walnu

3. Anti-popcorn lid

6063 aluminum alloy with anodize

5. Indicating colla

6063 aluminum alloy with anodized, rotary detachabl

7. Chute

6063 aluminum alloy with anodized, magnetic and fast detachable

9. Base

6063 aluminum alloy with anodize

11. Prop

6063 aluminum alloy with anodized

13. Outlet base

Plasma generator inside to reduce stati

15. Power switch

Turn off/on the power supply

2. Bellow

Food grade silicone

4. Hoppe

6063 aluminum alloy with anodize

6. Dia

6063 aluminum alloy with anodized, quickly adjust to zero after burr changed

8. dosing cup

6063 aluminum alloy with anodized, magnetic positionin

10. Body

6063 aluminum alloy with anodize

12. Speed adjust knob

Visual adjustment speed, 300-1600 RPM

14. Start switch

Control BLDC start and stop

SAFETY PRECAUTIONS

- Do not modify this product without prior authorization;
- Keep the product away from any open flame or heat source;
- Avoid washing the exterior and interior of the product with water;
- Refrain from using this product outdoors or in direct sunlight;
- Only grind roasted coffee beans with this product; avoid grinding any other substances;
- Ensure that children do not touch or operate this product;
- Do not squeeze, pull, knot, or damage the power cord;
- In the event of damage to the power cord, to prevent the risk of electric shock, it must be replaced by the manufacturer or authorized service professionals

PARAMETER

Item	Coffee grinder
Mode	DF83V
Item size	L320*W135*H395mm
Carton size	L400*W200*H430mm
N.W	9.0Kg
G.W	10.0Kg
Rated power	680W
Burr	flat 83mm
Capacity of Hopper	60g

HOW TO DEAL WITH A MOTOR JAM

To remedy a motor jam in your coffee grinder, follow these steps:

1. Turn off the grinder using the Power Switch (15);
2. Disconnect the grinder from the power source, remove the lid, and empty any remaining coffee beans;
3. Reconnect the grinder to the power source, set the motor speed to 1600 rpm, adjust the grind setting to a coarser level, and switch the grinder back on.

Note: When grinding at low RPM, ensure a gradual feed of coffee beans to minimize the risk of motor jamming

HOW TO REDUCE STATIC

To minimize static in your ground coffee, follow these simple steps using the fine mist water spray bottle provided with the grinder:

1. Fill the spray bottle with water;
2. Measure your coffee beans in a dosing vessel (refer to note), Spritz the beans with 1-2 pumps of water using the spray bottle;
3. Shake or stir the beans, ensuring even distribution of the water droplets;
4. Place the moistened beans into the grinder hopper and commence grinding.

Note: Avoid using the dosing cup meant to catch the ground coffee, as any remaining moisture in the cup may cause the coffee grounds to stick

WARRANTY AND AFTER SALES SERVICE

The warranty for our products extends for a duration of one year from the date of purchase. Within this period, the company is committed to offering comprehensive warranty services in cases of product failure, with the exception of failures resulting from misuse or inappropriate operation. Proof of purchase is mandatory for all warranty claims. The warranty includes the following benefits:

1. Complimentary repair of malfunctioning machines;
2. Free replacement of defective parts (excluding consumables like burr sets);
3. Coverage for items as mandated by applicable laws

WARRANTY AND AFTER SALES SERVICE

The warranty does not cover product failure or damage under the following circumstances

1. Product failure resulting from unauthorized use
2. Product failure caused by unauthorized dismantling of the machine
3. Product failure due to failure to operate in accordance with the provided instructions
4. Obtaining the product through illegal means
5. Product failure resulting from force majeure
6. Products that have been repaired by unauthorized third-party personnel without prior contact with the company and its authorized dealers

WARRANTY AND AFTER SALES SERVICE

- 1. Ensure young children are supervised to prevent them from playing with the appliance.**
- 2. This appliance is not designed for use by individuals (including children) with reduced physical, sensory, or mental capabilities, or those lacking experience and knowledge, unless they receive supervision or instruction regarding the appliance's use from a person responsible for their safety**
- 3. The intended applications for this appliance include household use and similar environments such as**
 - a. Staff kitchen areas in shops, offices, and other working environments;**
 - b. Farmhouses;**
 - c. Use by guests in hotels, motels, and other residential settings;**
 - d. Bed and breakfast establishments**
- 4. If the manufacturer wishes to restrict the appliance's use to scenarios beyond those mentioned above, clear instructions to that effect must be provided**