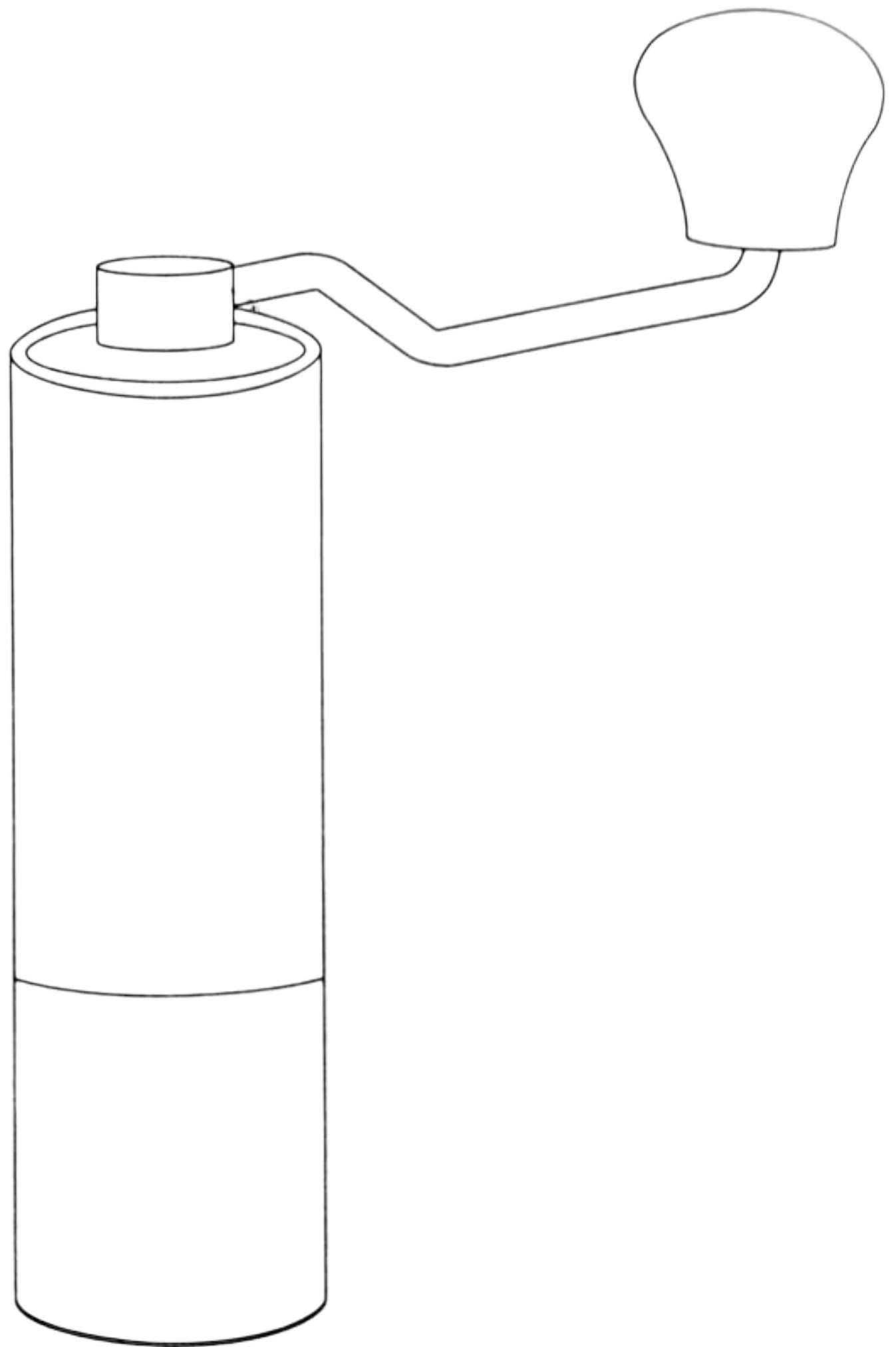
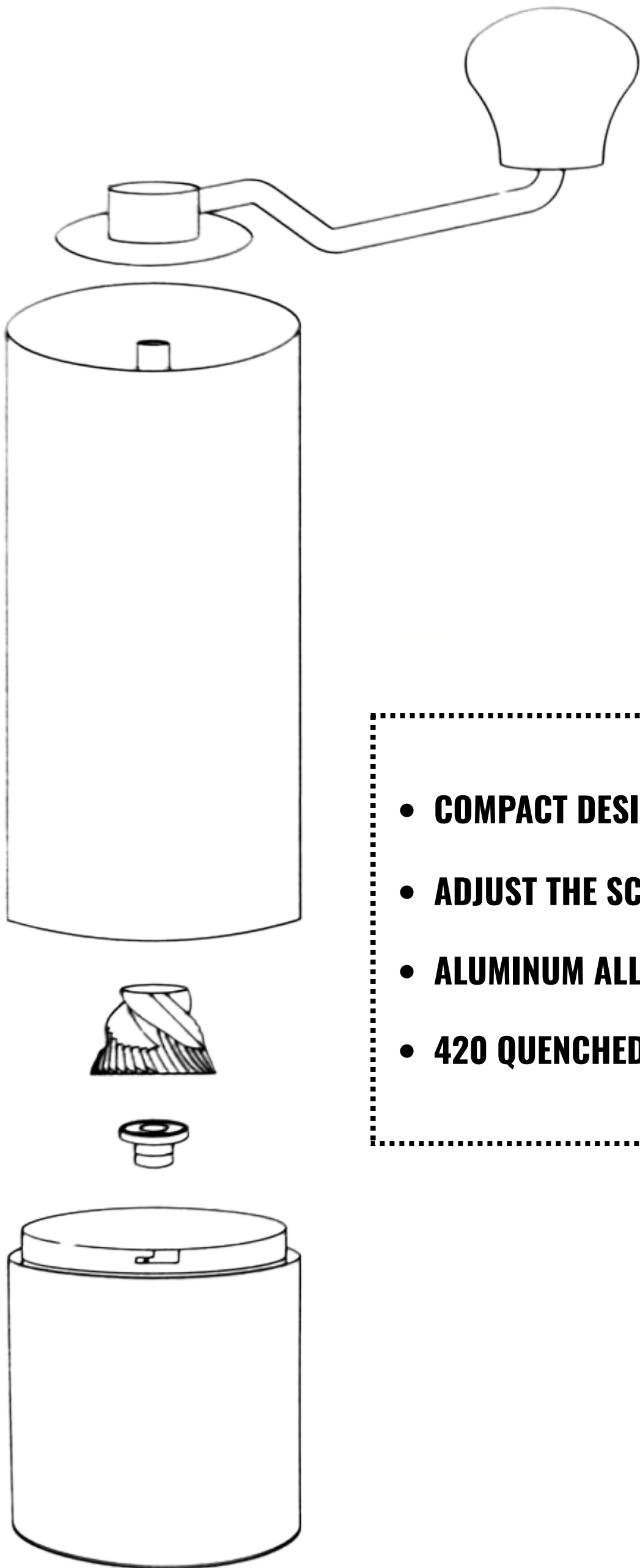


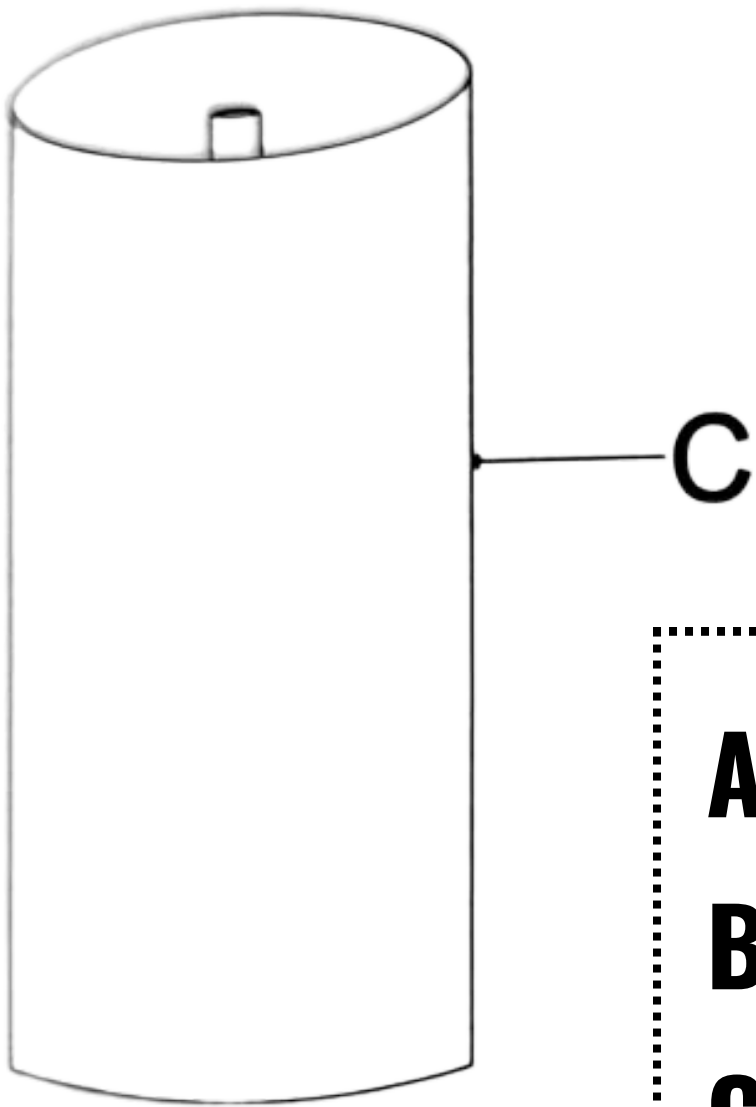
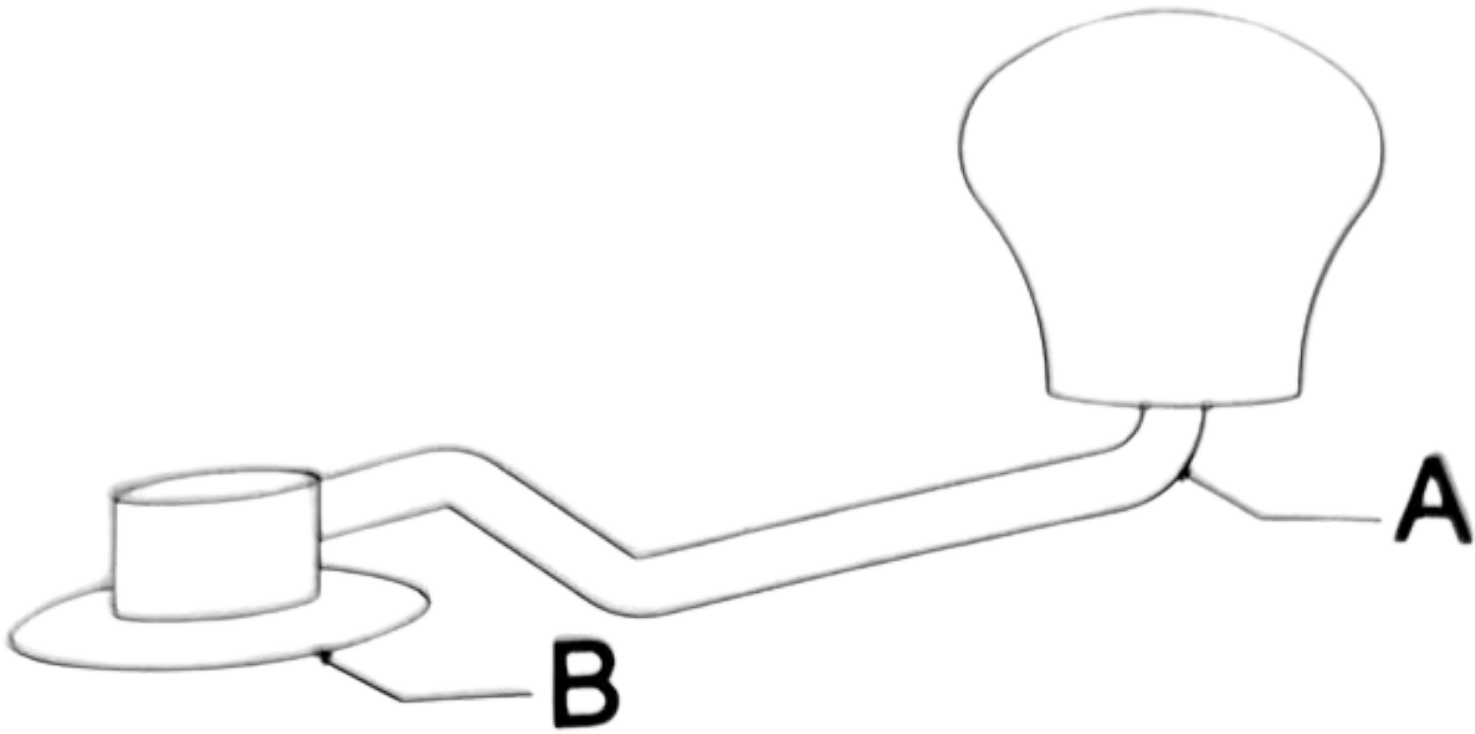
PRESSOCO



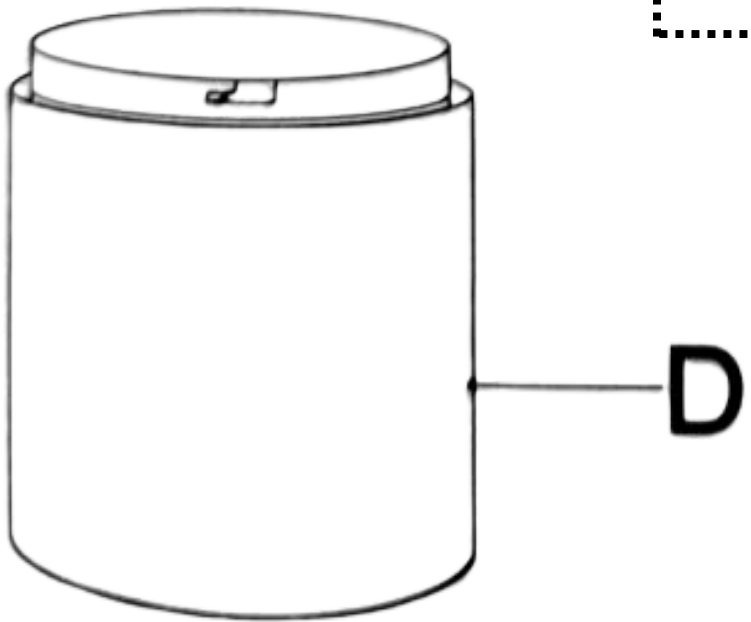
PRESSOCO
HAND GRINDER 420CNC
USER MANUAL



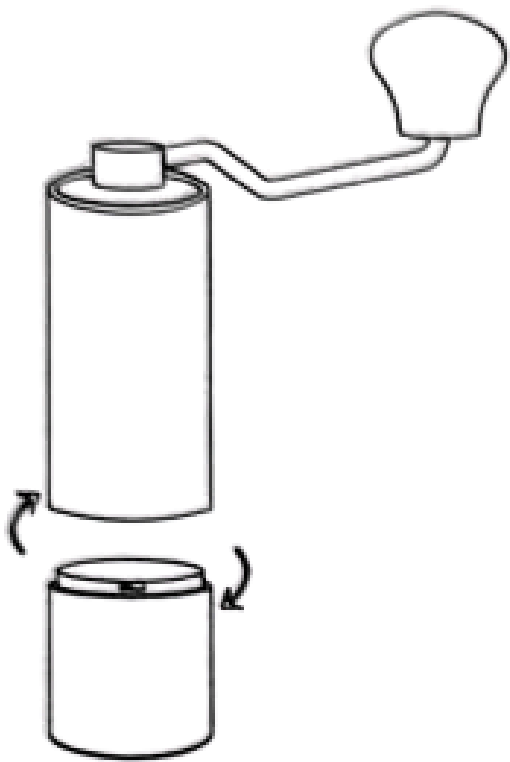
- **COMPACT DESIGN, EASY TO CARRY**
- **ADJUST THE SCALE FOR A COARSE OR FINE GRINDING**
- **ALUMINUM ALLOY BODY**
- **420 QUENCHED HIGH-STRENGTH GRINDING CORE**



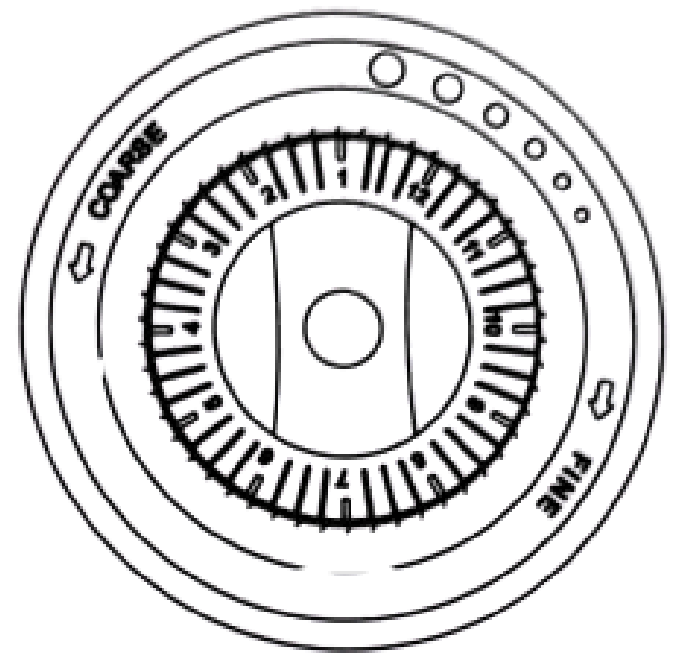
A: Handle
B: Lid
C: Grinder body
D: Coffee Powder Container



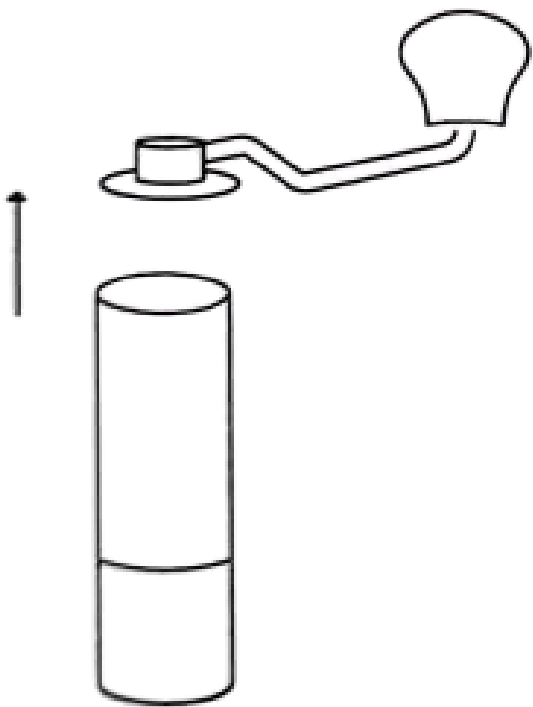
How to use



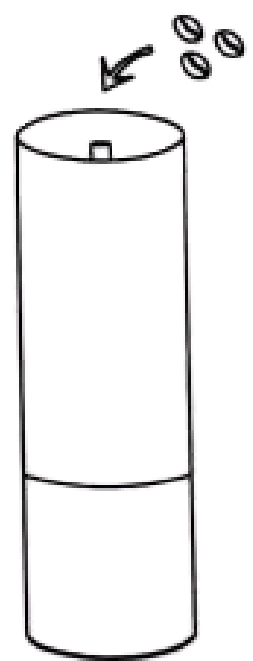
1. Pull out the coffee powder container.



2. Set up the coarseness by turning the scale from the bottom of the body.



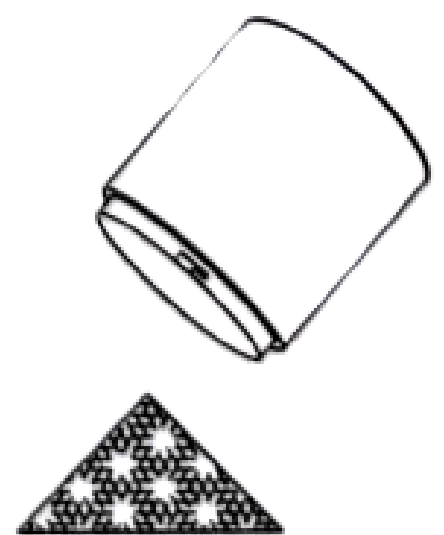
3. Open the lid group.



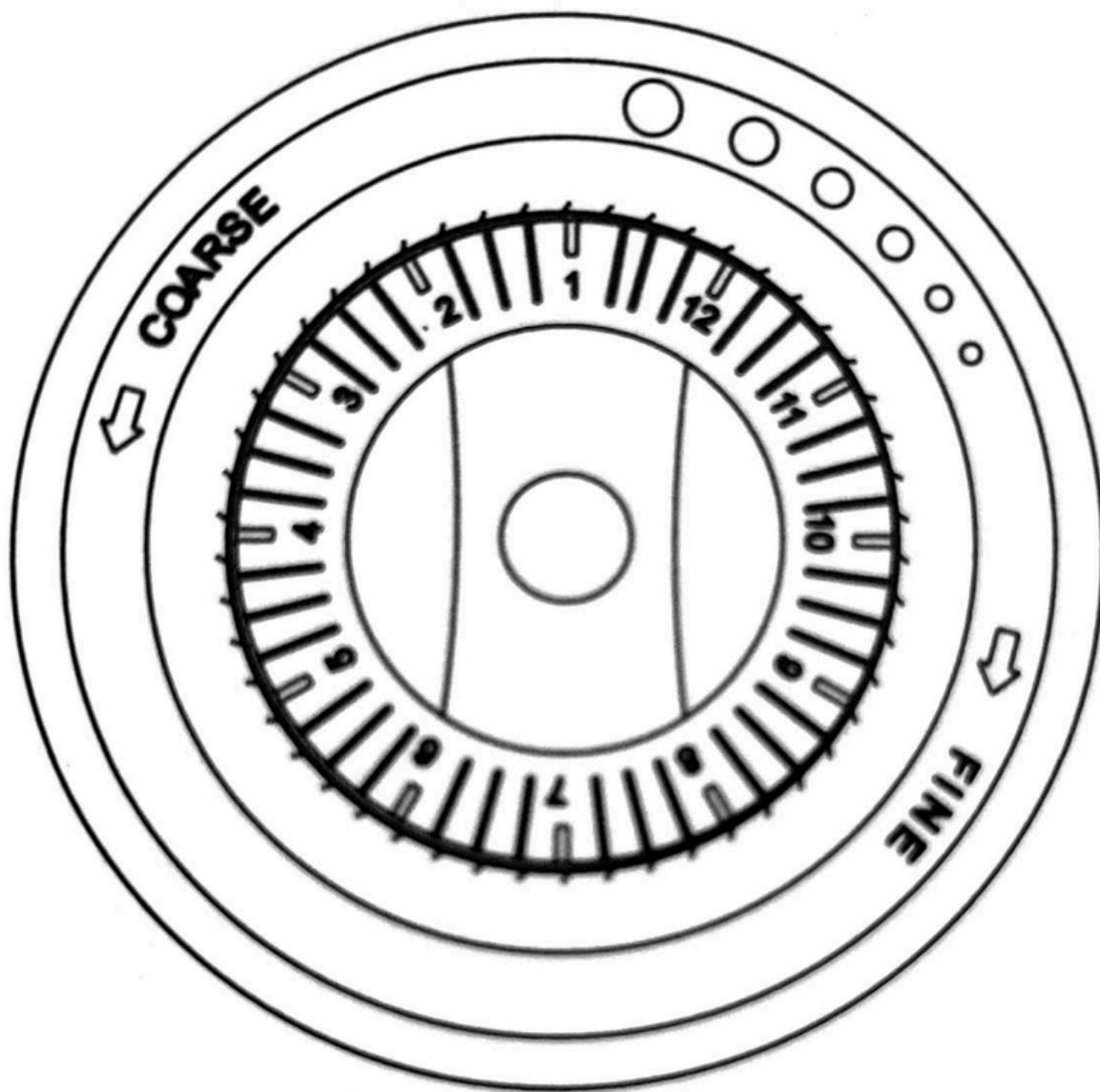
4. Add coffee beans inside the grinder body (less than 25g).



5. Cover the lid, to hold tightly the body, then to rotate the handle.



6. Pour out the grinded coffee powder.



- Rotate clockwise for fine grinding;
- Rotate anti-clockwise for coarse grinding.
- Rotate clockwise to the end, this position is called START POINT.
- You can refer to the start point to adjust the coarseness which you prefer to set.

ESPRESSO	3–10 calibration
POUR OVER	11–20 calibration
FRENCH PRESS	21–28 calibration

- The table above is only an empirical estimation, for your reference only, please adjust according to your actual needs.
- Cover the lid before you adjust the coarseness.
- In order to protect the grinding core, do not grind within “2” calibration.
- Too much clockwise rotation will cause damages on the structure of grinding core.

Caution

- The device is for grinding coffee beans only. DO NOT use it to grind other stuff.
- It's recommended to clean it with a brush or an air blower. DO NOT wash it with water.
- The edge of the grinding core is SHARP. Take care not let the sharp edge cut the finger.
- Kids are not allowed to operate this device.
- Must store this device in a dry environment.
- It's not recommended that customers privately disassemble or replace any parts of this grinder. Please consult relevant technicians, or do so under a proper guidance from the merchant, if you need.
- It's not recommended that customers privately disassemble or replace any parts of this grinder. Please consult related technicians, or to operate under a correct guidance from the merchant if you need.
- Our company is not responsible or liable for any injuries or damages caused by the private violation against the above CAUTION.