

PRESSOCO

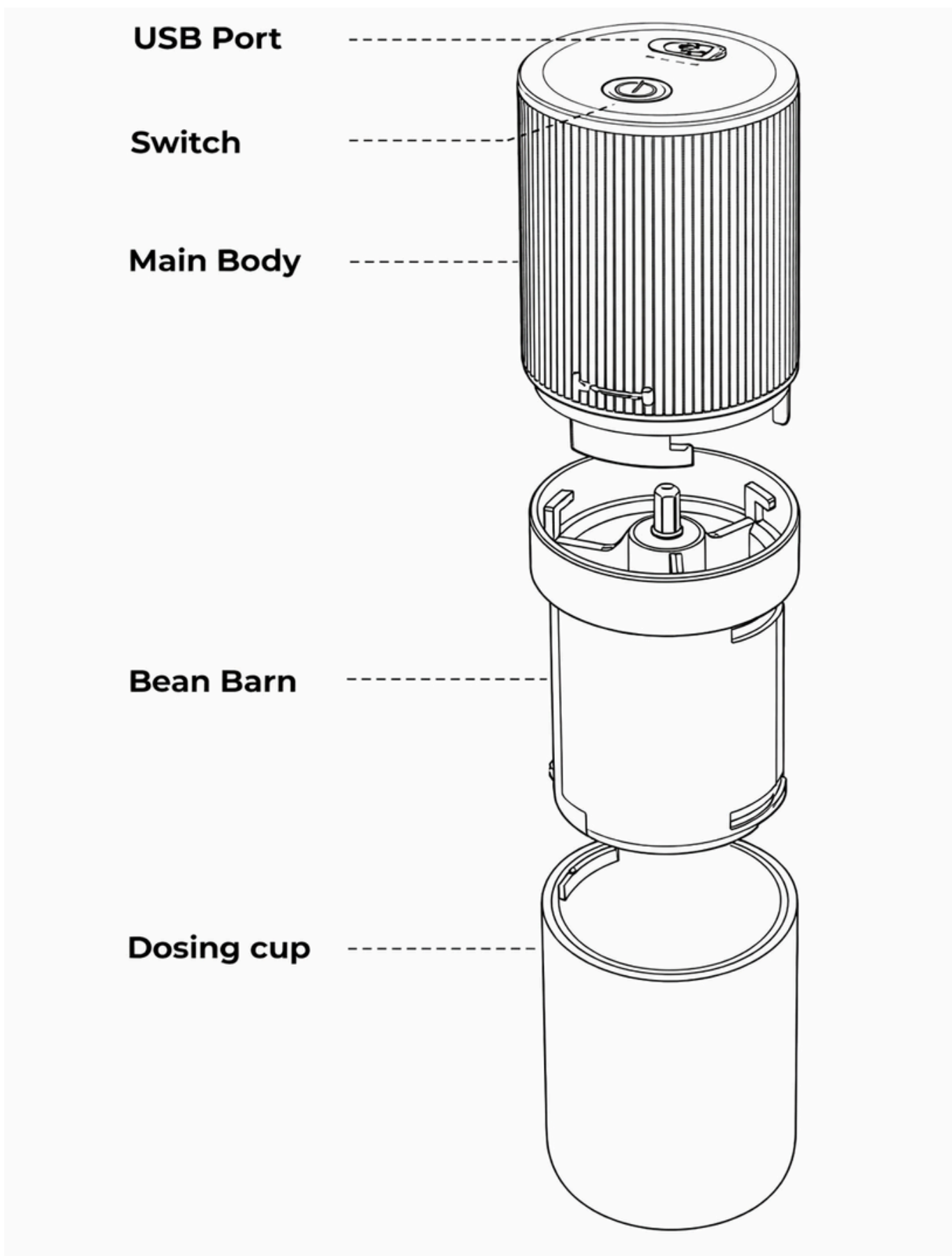
ELECTRIC COFFEE GRINDER

GEN Z

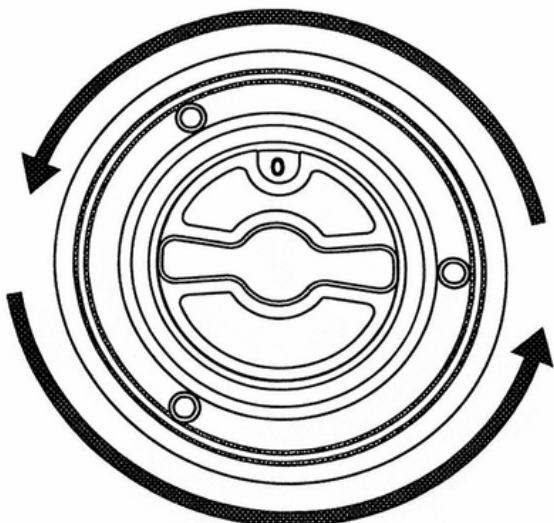
Tip:

Please read this manual carefully before use and use the product correctly to ensure personal safety and avoid property loss.

Name of part



Adjusting Grind Settings

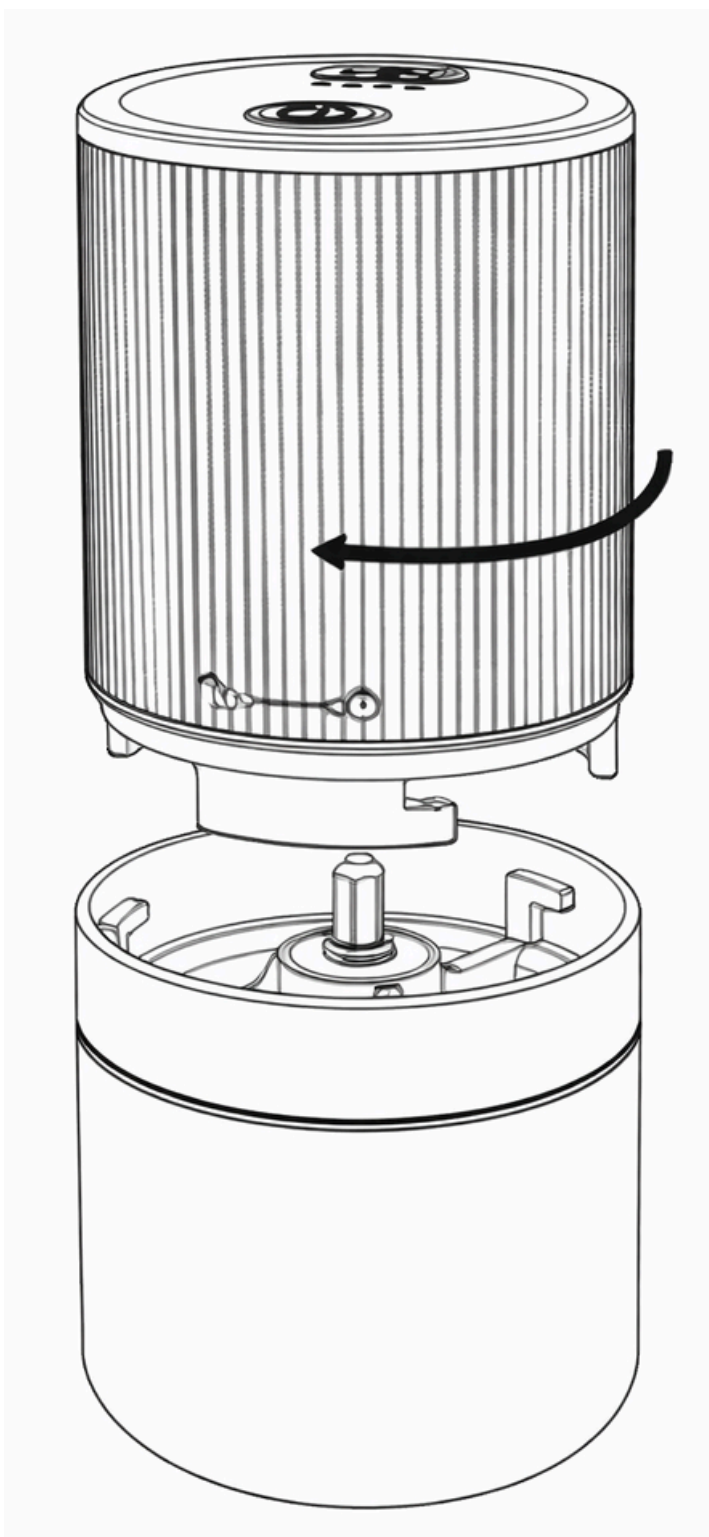


- Begin by rotating the dial clockwise until the grinder has closed completely. This is your starting position. Your starting position may be at any number on the grinder.
- From starting position, adjust coarseness by rotating the dial counterclockwise referring to the table below. Count up one digit at a time as you pass each number on the grinder until you've reached your desired digit.

Turn from the start position	Espresso	9-15 Digits
	Moka	18-25 Digits
	Pour Over	25-35 Digits
	French Press	38+ Digits

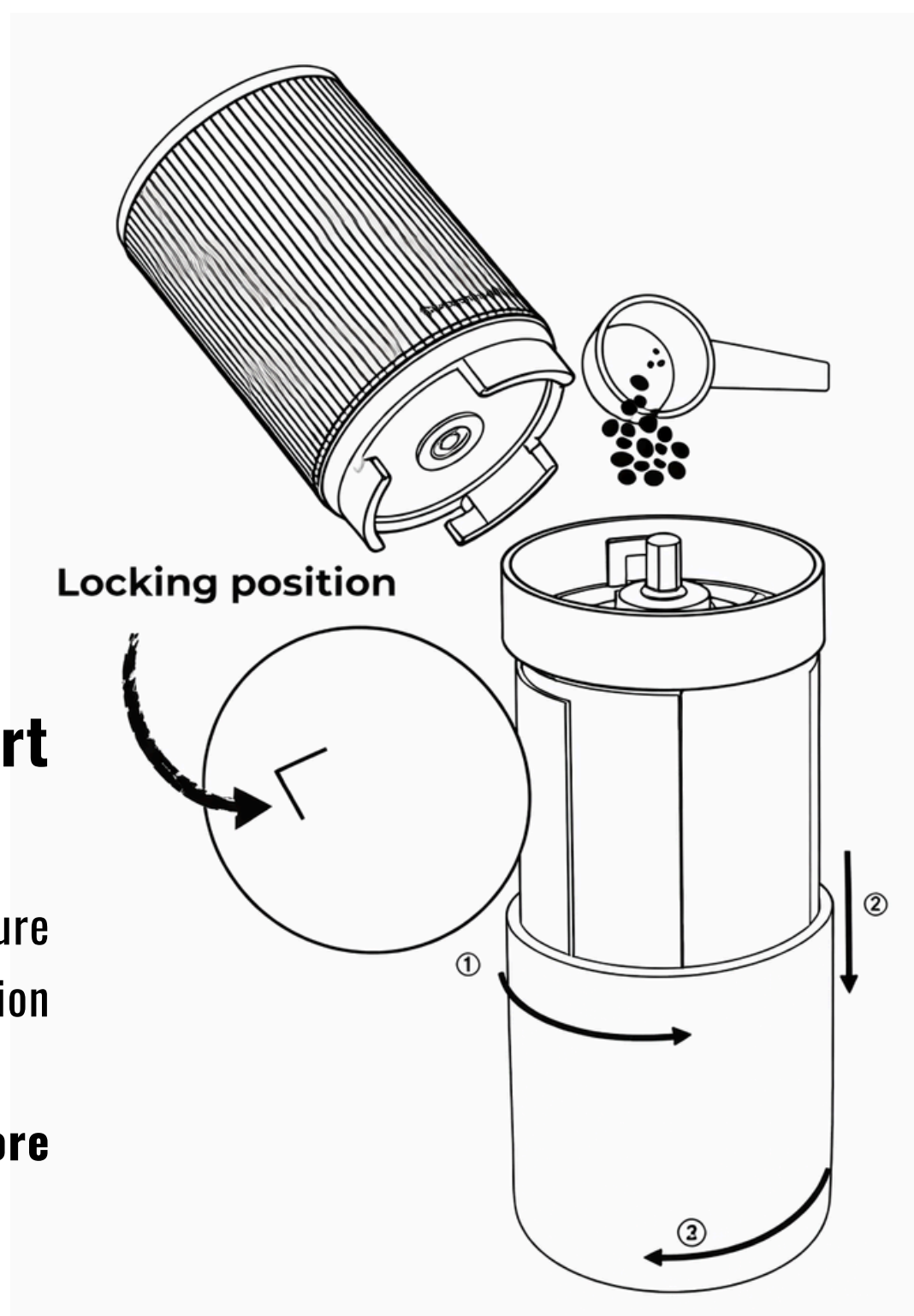
- This table is for reference only. Please adjust according to your preferences. (Motor should be mounted during adjustment)
- If the knob is turned anticlockwise excessively, the adjustment sheet will fall off. In this case, mount the adjustment sheet again correctly.

How to use



1. Open the coffee bean

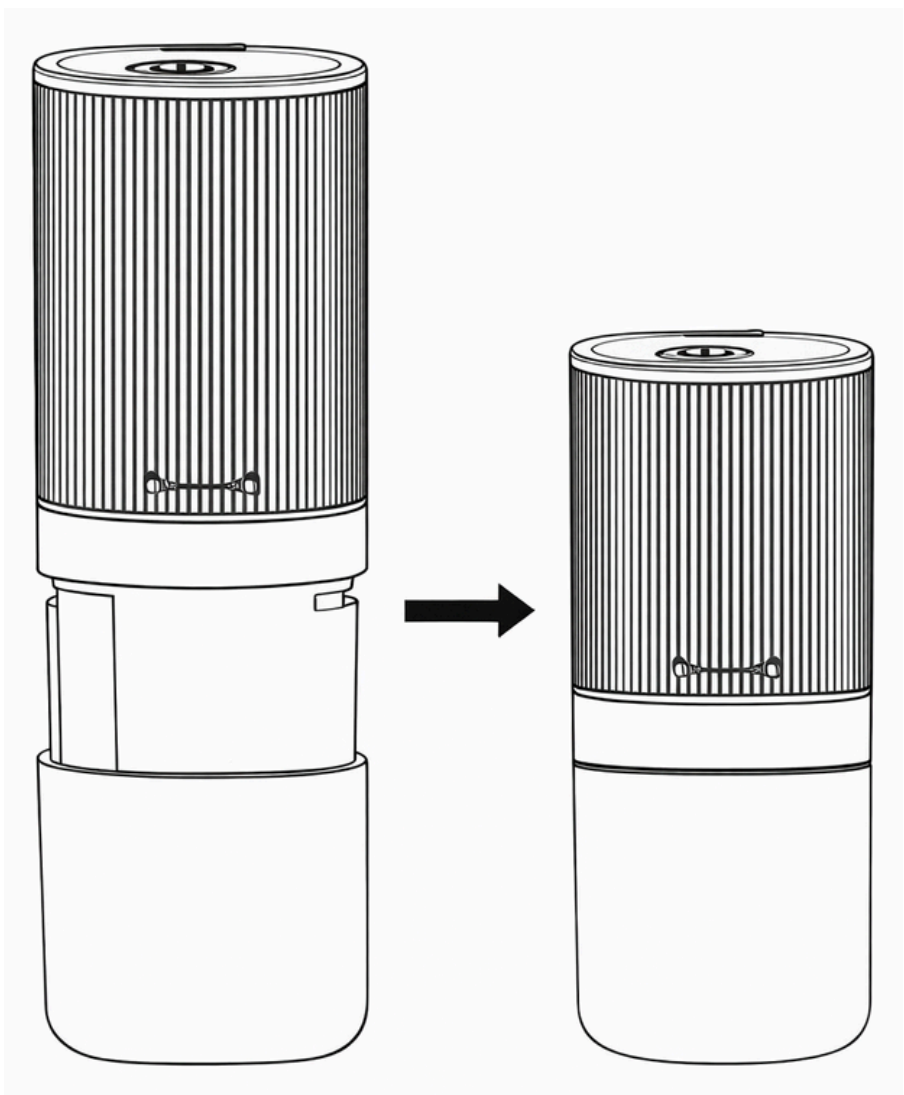
Turn the main body along the arrow direction on it, open the coffee bean barn, put coffee beans (Fig. 2) into it and lock the coffee bean barn along the opposite direction.



2. Open the dosing cup and start the grinder.

Turn the dosing cup to position ③ in the figure right according to the chute's locking position and then press the power switch to grind.

(Note: Adjust the grind size before grinding.)



3. Store the product after use.

After use, clean the dosing cup and store it by following step 2 backwards.

Functions

Automatic power saving mode

After detecting that there is no coffee bean in the coffee bean barn, the grinder will stop automatically about 6s later to save power and prolong lives of the motor and the burr.

Remark:

1. Click the power switch. The blue LED indicators will be lit, and the product will begin to work.
2. The four blue LED indicators flash when charging, and remain lit after full charge.
3. When in use, the blue LED indicators remain lit.
4. Do not use the grinder while charging it.

Precautions before use

- When in use, the blue LED indicators remain lit. In the case of a low battery, the motor speed will slow down and the blue LED indicators will flash.
- Use at most 15g coffee beans each time.
- It is not suitable for grind too hard coffee beans.
- Please use the grinder to grind coffee beans only.
- Do not wash the product and clean it with brush. It is suggested to grind about 5g coffee beans in its first use to clean the coffee bean barn and burr set.
- The burr edge is sharp. Operate carefully to avoid injury by it.
- It is suggested to dismount and replace parts such as the grinding core under guidance by our customer service person.
- This grinder includes a USB charge cable. A 5V-1A USB charging plug is recommended. Do not use a fast or a high-power charging plug.
- Grind sizes that are within 8 levels from the starting position are not recommended.

Product parameters

Model Name	Portable Electric Coffee Grinder Gen Z
Battery	Built-in 800mAh rechargeable lithium battery
Weight	About 410g
Charging time	About 120min
Battery Life	About 90min
Size	140x56mm (contraction); 185x56mm (stretching)
Capacity	15g
Material	Aluminum alloy, PC, ABS, Stainless steel
Charge Current	1A (Charging current)
Motor Speed	65r/min
Voltage	5V (Charging voltage)

Warnings:

- This grinder is an electric product. Minors should use it under supervision.
- It is dangerous at any time to put fingers into the coffee bean barn.
- Do not use the grinder while charging it.
- This grinder cannot be washed with water. Do not have it immersed in any liquid.

WARRANTY CARD

Attentions:

The grinder electronic parts have a warranty period of 1 year following the date of purchase; its other accessories are not covered by the warranty service. Please fill out the warranty card properly and send it to a near after-sales service center. Please provide the proof of purchase when applying for the warranty service.

In any of the following circumstances, the warranty service will not be provided.

The product is damaged due to natural wear or overloaded operation;

The product is damaged due to misoperation;

The product is disassembled and refit without our permission;

The product is artificially damaged.

Model No:

Customer:

Purchasing channel:

Date of purchase:

Address: