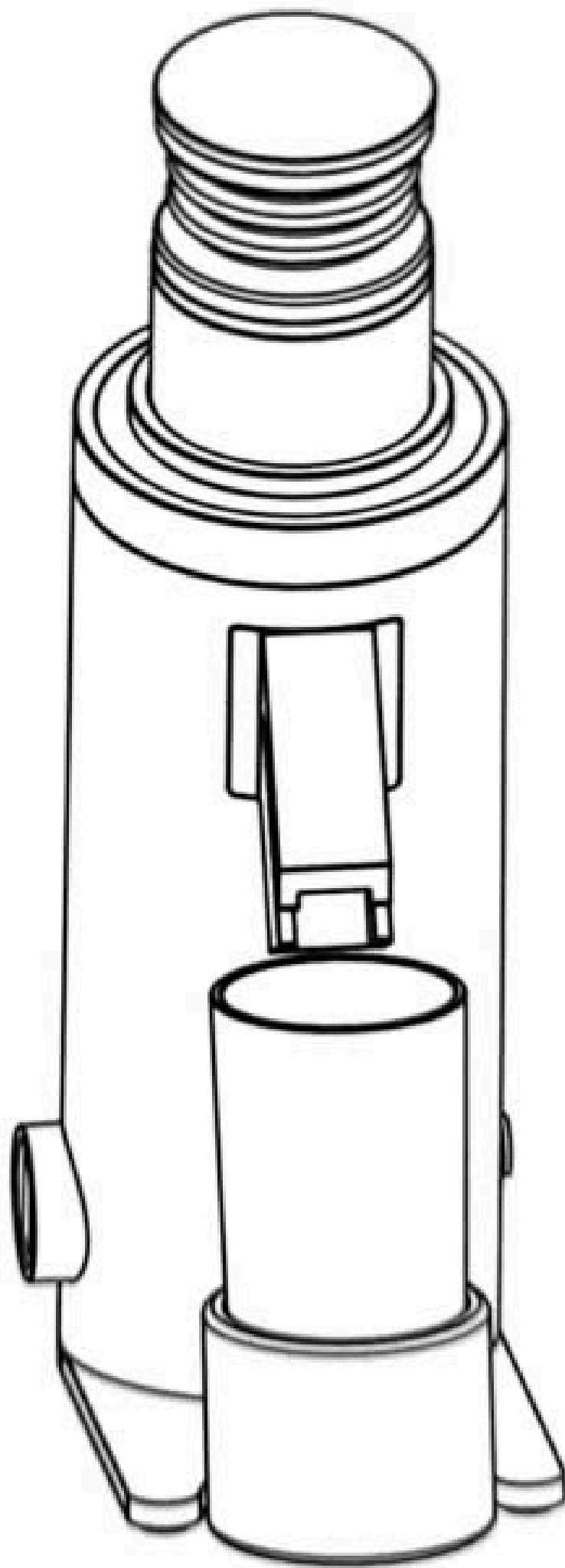


DF64V

COFFEE GRINDER

INSTRUCTIONS

VARIABLE SPEED & ALL PURPOSE



Please read this manual thoroughly before use.

Keep this manual in a safe place for future reference.

SAFETY PRECAUTIONS

- Do not modify this product without prior authorization
- Do not place the product near any fire source
- Do not wash the exterior and interior of the product with water
- Do not use this product outdoors or in direct sunlight
- Do not grind anything other than coffee beans
- Do not allow children to touch or operate this product
- Do not squeeze, pull, knot or damage the power cord
- If the power cord is damaged, in order to avoid the risk of electric shock, it must be replaced by the manufacturer or after-sales service professionals.

PARAMETERS

Item	Coffee grinder
Model	DF64V
Item size	L20W10H33cm
Carton size	L40W32H18cm
N.W	3.9Kg
G.W	5.0Kg
Rated power	300W
Burr	64mm Flat
Capacity of grinder collar	30g
Capacity of bellow	30g

PRESENTATION

1. Lid

Wood lid

2. Bellow

Food grade silicone

3. Popcorning device

6063 aluminum alloy with anodizing

4. Adjusting disk

6063 aluminum alloy with anodizing

5. Scale indicator ring

6063 aluminum alloy with anodizing

6. Dial scale

6063 aluminum alloy with anodizing

7. Outlet chute

6063 aluminum alloy with anodizing, Detachable and magnetic type, Easy to clean. Ion generation probe inside outlet to reduce anti-static effectiveness.

8. Body

6063 aluminum alloy with anodizing

9. Speed adjustment rotary knob

Matte rubber paint treatment

10. Display panel

RPM adjustment display

11. Base

6063 aluminum alloy with anodizing

12. Dosing cup

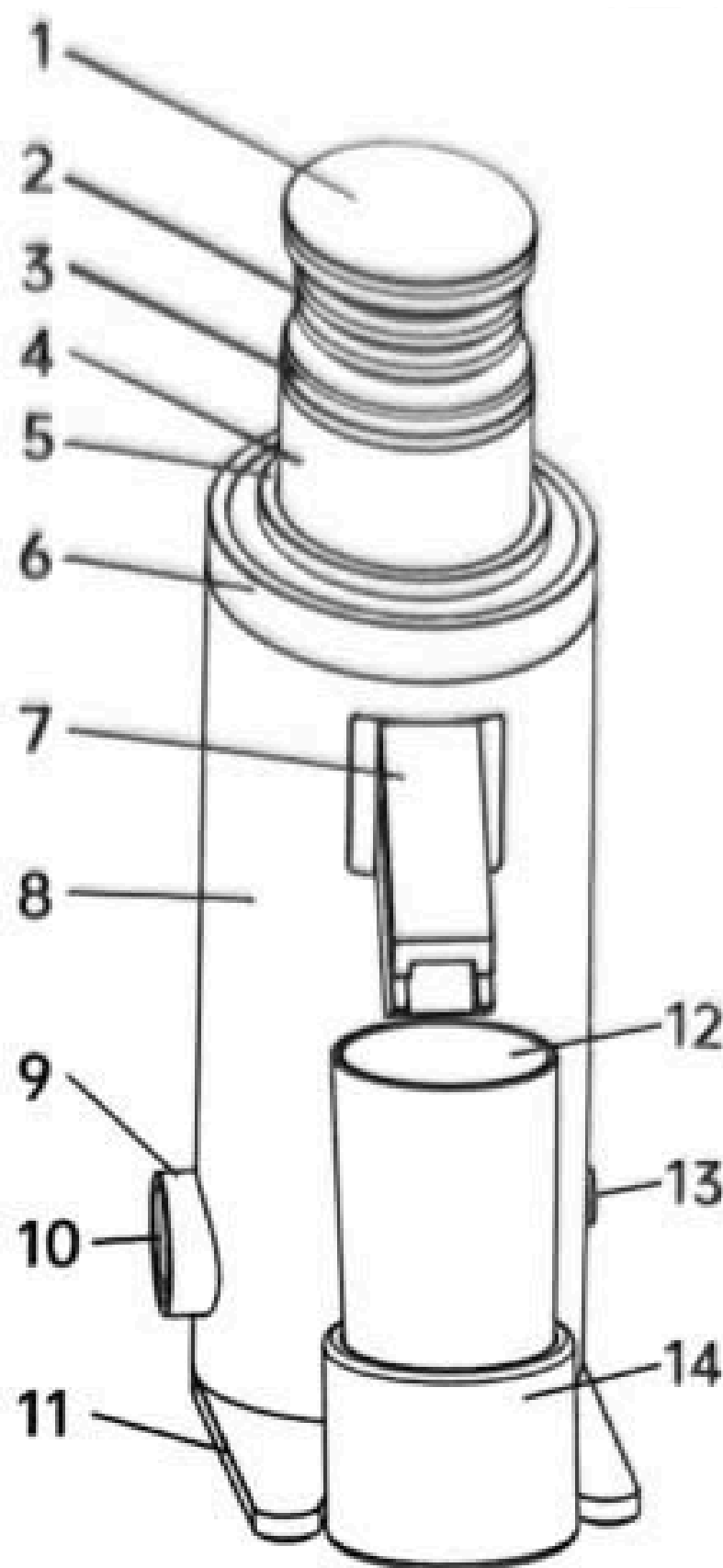
6063 aluminum alloy with anodizing

13. On/off switch

Start motor

14. Cup stand

Wood



GRIND ADJUSTMENT

Easy stepless adjustment to any desired grind coarseness.

Note:

Please adjust the coarseness whilst there are no coffee beans in the grinder, or whilst the grinder motor is running.



MOTOR SPEED ADJUSTMENT

1. Speed range from 800 to 1800RPM
2. The speed increases by 100RPM by turning clockwise; The speed is reduced by 100RPM by turning one grid counterclockwise
3. The speed can be adjusted before or after the motor starts
4. Grinding range and grinding speed are recommended.



Espresso grinding between scale 10-30, grinding speed 1000-1800 RPM

Pour over grinding between scale 40-60, grinding speed 800-1000 RPM

ACCESSORIES

1. Dosing cup

6063 aluminum alloy with anodizing

2. Bellow hopper

With lid allows for the gentle compression of air to minimizing coffee grinds retention.

3. Cleaning Brush

To help maintain a clean grinder and workspace.

OPERATING INSTRUCTIONS

STEP 1: Plug the grinder, the left display panel light and show the current RPM

STEP 2: Adjust to the needed speed, press down the right switch to start motor

STEP 3: Open lid to put coffee bean after the motor works

STEP 4: After grinding is done, press bellow to blow out the residual coffee ground (Normal working duration shall not exceed 45s)

STEP 5: Press the switch again to stop the motor. Take off the chute to clean with a brush.

CLEANING PROCESS OF GRINDER

STEP 1: Start machine, use bellow to clean residual coffee grounds in the chamber, then power off

STEP 2: Take off the chute, then use a brush to clean the outlet and chute, avoiding contact with your finger due to the presence of the plasma generator pin inside

STEP 3: Rotate the dial scale anticlockwise to take off the adjustment components (adjusting disc / scale indicator ring / dial scale)

STEP 4: Take off upper burr carrier, use a brush to clean burrs and chamber

STEP 5: Reassemble all the parts in the reverse order

APPLICATION AND USAGE

- 1. Young children should be supervised to ensure that they do not play with the appliance.**
- 2. This appliance is not intended for use by persons (including children) with reduced physical, sensory or mental capabilities, or lack of experience and knowledge, unless they have been given supervision or instruction concerning use of the appliance by a person responsible for their safety.**
- 3. This appliance is intended to be used in household and similar applications such as:**
 - staff kitchen areas in shops, offices and other working environments**
 - farm houses**
 - by clients in hotels, motels and other residential type environments**
 - bed and breakfast type environments**
- 4. If the manufacturer wants to limit the use of the appliance to less than the above, this shall be clearly stated in the instructions.**

WARRANTY AND AFTER SALES SERVICE

The warranty period is one year from the date of purchase.

Under the warranty period the company will provide a full range of warranty services in instances of product failure (excluding any failure due to misuse or inappropriate operation). Proof of purchase is required for any warranty claims. The warranty covers:

- 1. Free repair of faulty machines**
- 2. Free replacement of faulty parts (excluding any consumables such as burr sets)**
- 3. Items stipulated by law**

EXCEPTIONS

Product failure or damage in one of the following situations is not covered by the warranty.

- 1. Product failure caused by unauthorized use**
- 2. Product failure caused by dismantling the machine without authorization**
- 3. Product failure caused by failure to operate in accordance with the instructions;**
- 4. Obtain the product by illegal means**
- 5. Product failure caused by force majeure**
- 6. Products repaired by unauthorized third party personnel without contacting the company and its authorized dealers.**

HOW TO DEAL WITH MOTOR JAM

1. Stop the motor
2. Unplug the machine, take off the lid, pour out coffee beans
3. Plug the machine again, turn the motor speed to 1800 rpm, set the grind to coarser, press switch to restart motor

If grind on low speed, please put coffee beans slowly to prevent motor jam.