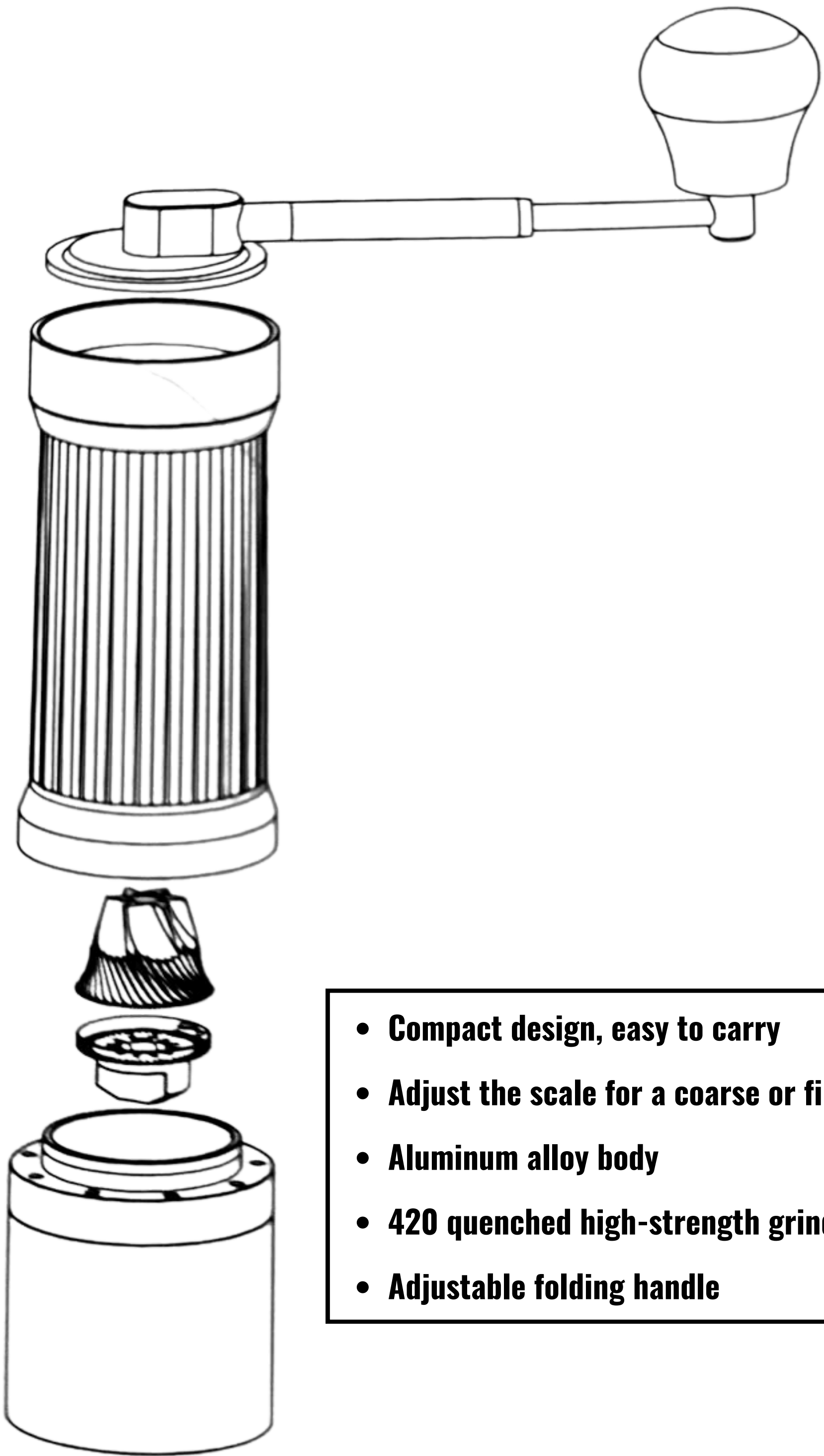
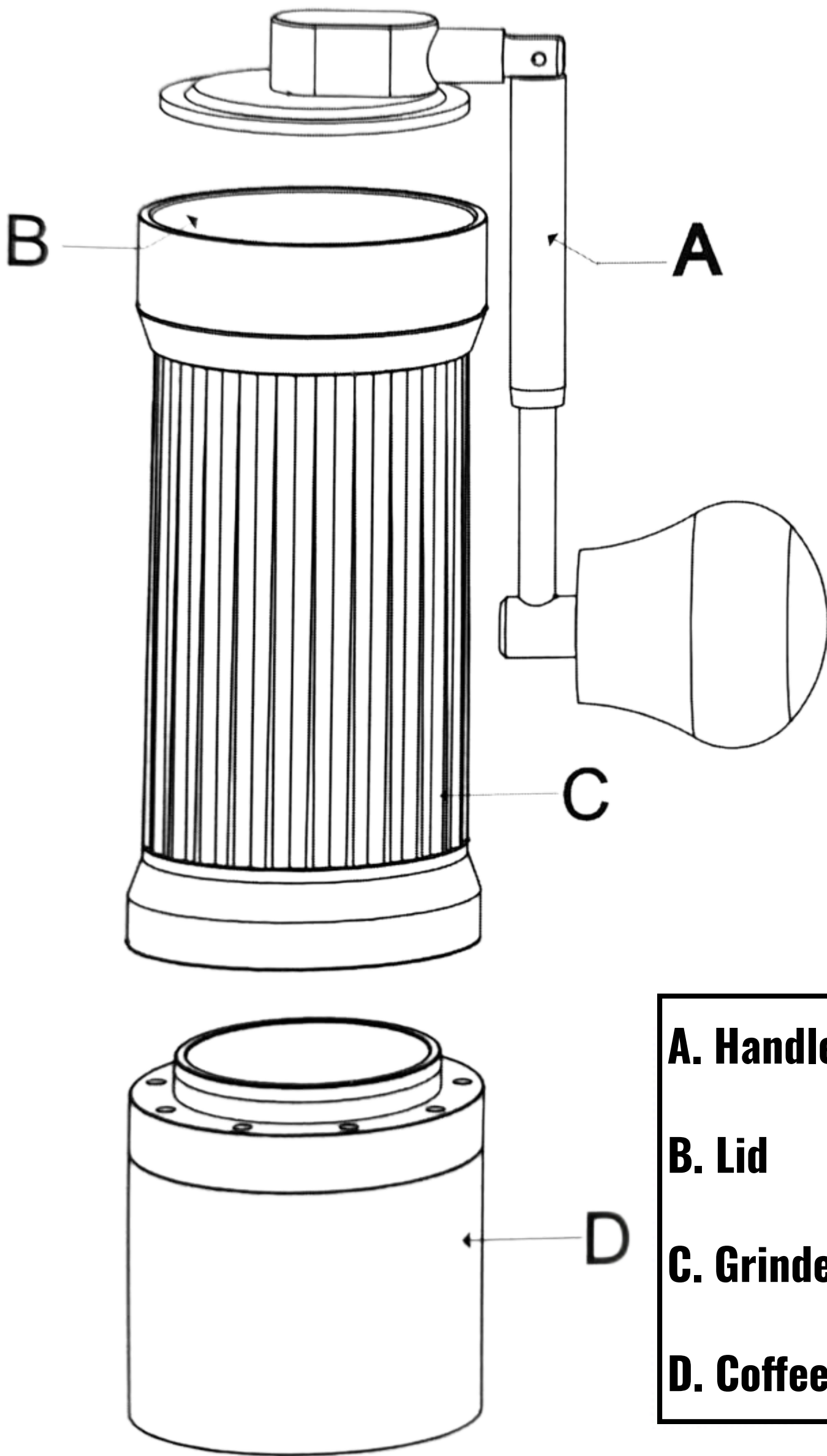


**Adjustable  
Manual Coffee Grinder  
User Manual**



- **Compact design, easy to carry**
- **Adjust the scale for a coarse or fine grinding**
- **Aluminum alloy body**
- **420 quenched high-strength grinding core**
- **Adjustable folding handle**

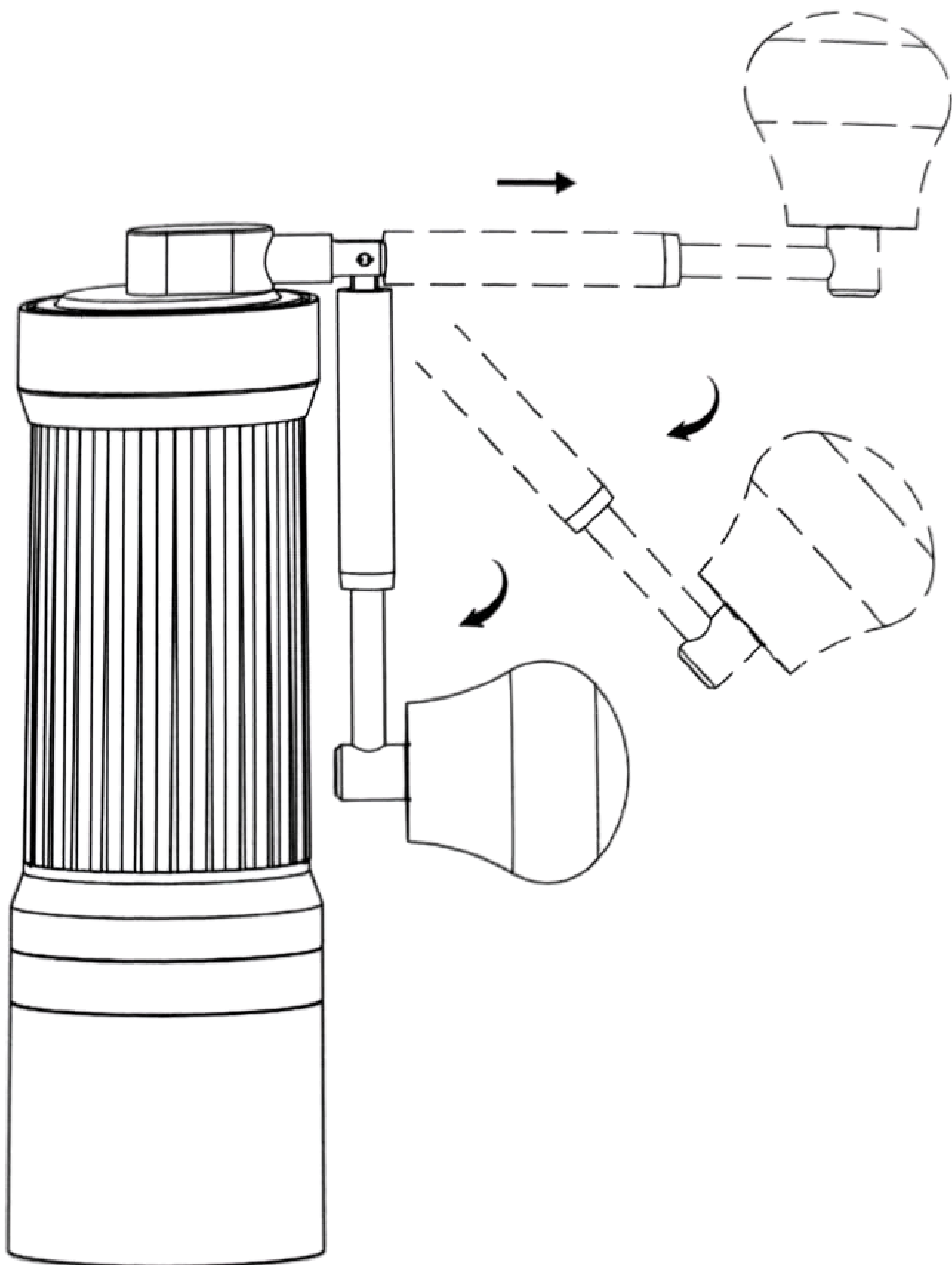


**A. Handle**

**B. Lid**

**C. Grinder body**

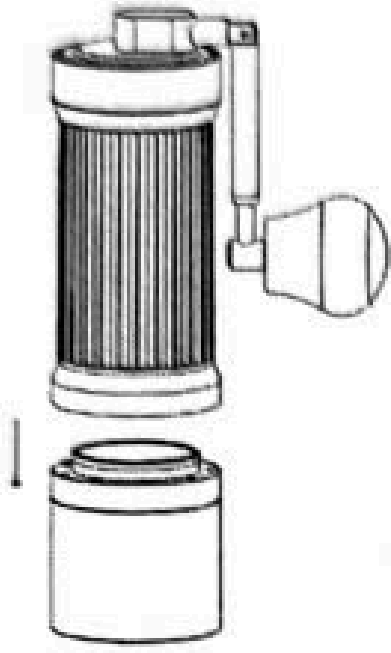
**D. Coffee Powder Container**



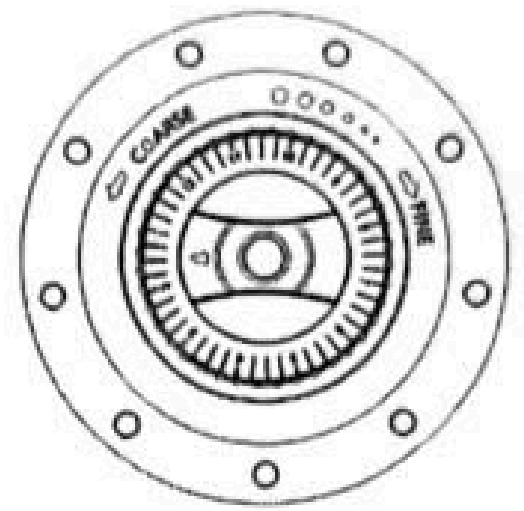
## **FOLDING INSTRUCTIONS**

Press and hold the middle part of the joystick on the handle.

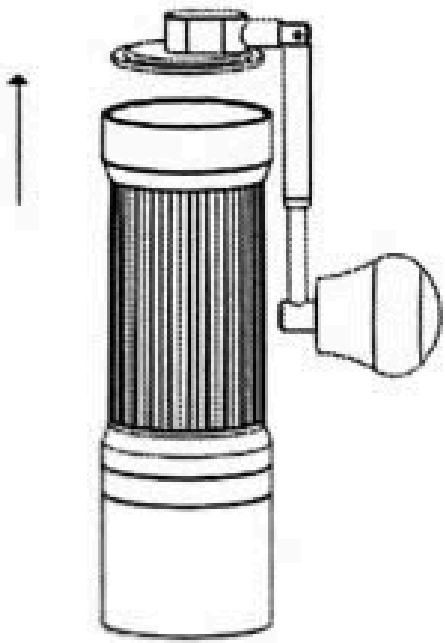
Stretch to the right until you reach the clasp. It can be folded down when all appear



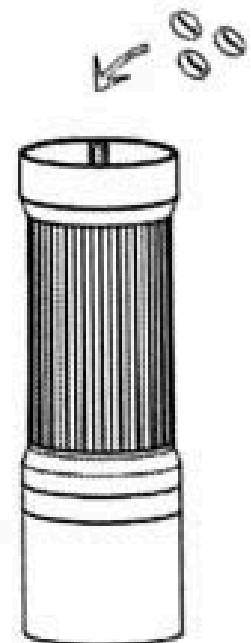
**1. Magnetic design powder silo.  
It can be easily taken down**



**2. Set up the coarseness by turning the scale  
from the bottom of the body**



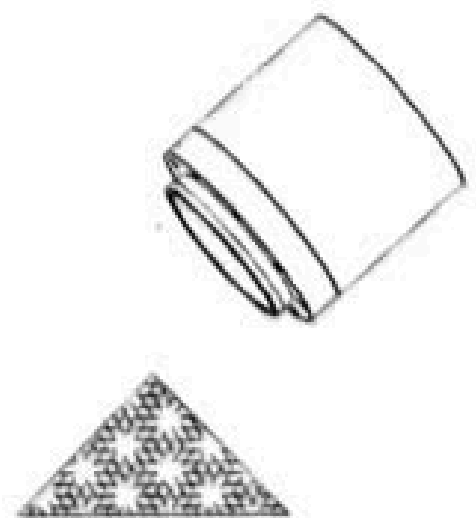
**3. Open the lid group**



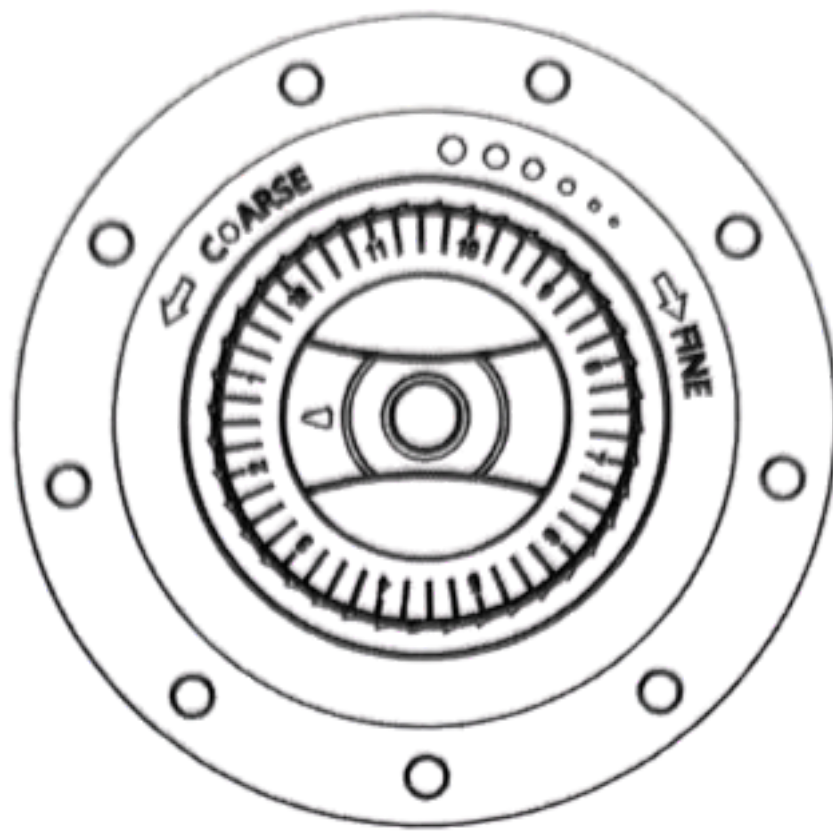
**4. Add coffee beans inside the grinder body (less  
than 25g)**



**5. Cover the lid to hold tightly the body,  
then to rotate the handle**



**6. Pour out the grinded coffee powder**



- Rotate clockwise for fine grinding
- Rotate anti-clockwise for coarse grinding.
- Rotate clockwise to the end, this position is called **START POINT**.
- You can refer to the start point to adjust the coarseness which you prefer to set.

<b>ESPRESSO</b>	<b>3-10</b> calibration
<b>POUR OVER</b>	<b>11-20</b> calibration
<b>FRENCH PRESS</b>	<b>21-28</b> calibration

- The table above is only an empirical estimation, for your reference only, please adjust according to your actual needs.
- Cover the lid before you adjust the coarseness.
- In order to protect the grinding core, do not grind within “2” calibration.
- Too much clockwise rotation will cause damages on the structure of grinding core.

# Caution

- The device is for grinding coffee beans only. **DO NOT** use it to grind other stuff.
- It's recommended to clean it with a brush or an air blower. **DO NOT** wash it with water.
- The edge of the grinding core is **SHARP**. Take care not let the sharp edge cut the finger.
- Kids are not allowed to operate this device.
- Must store this device in a dry environment.
- It's not recommended that customers privately disassemble or replace any parts of this grinder. Please consult relevant technicians, or do so under a proper guidance from the merchant, if you need.
- Our company is not responsible or liable for any injuries or damages caused by the private violation against the above **CAUTION**.